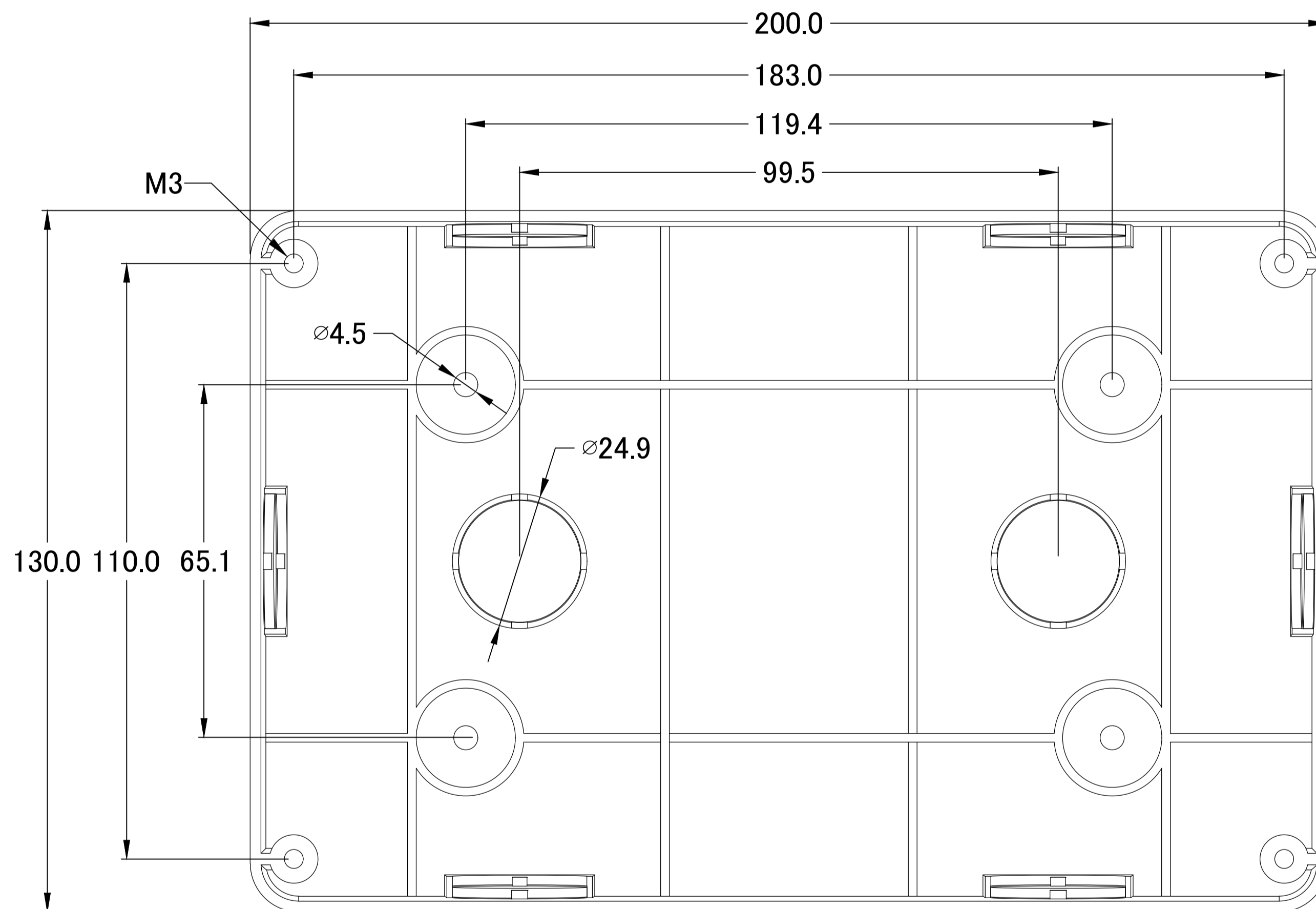
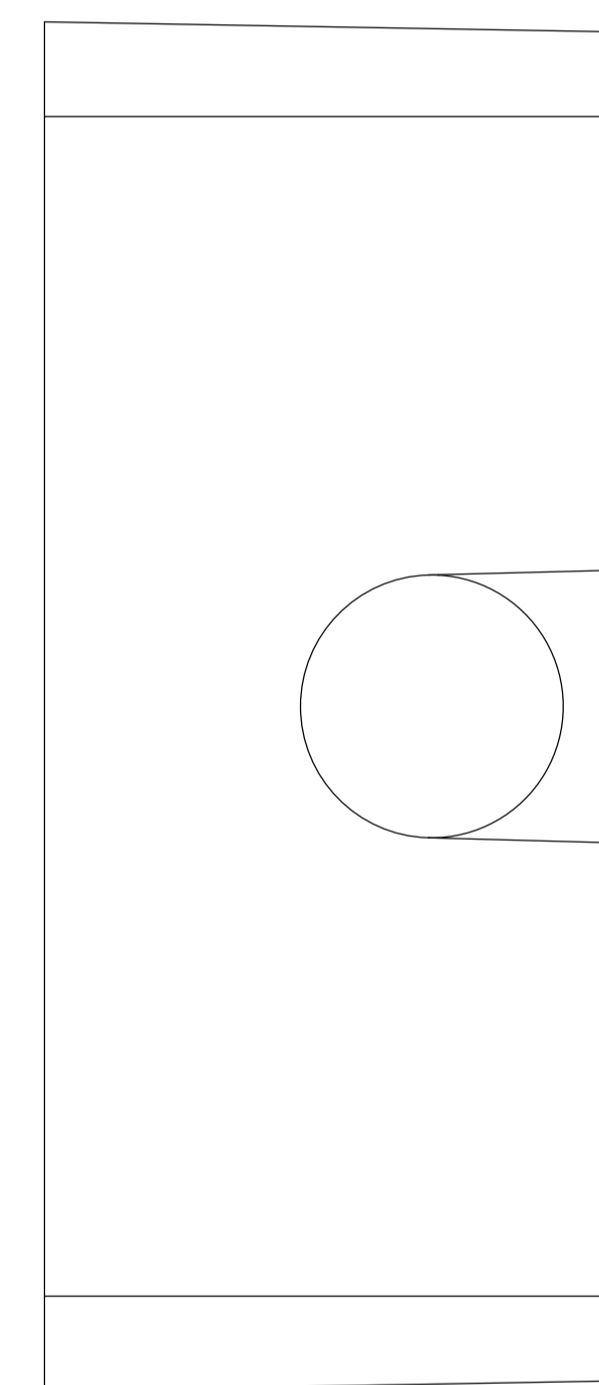


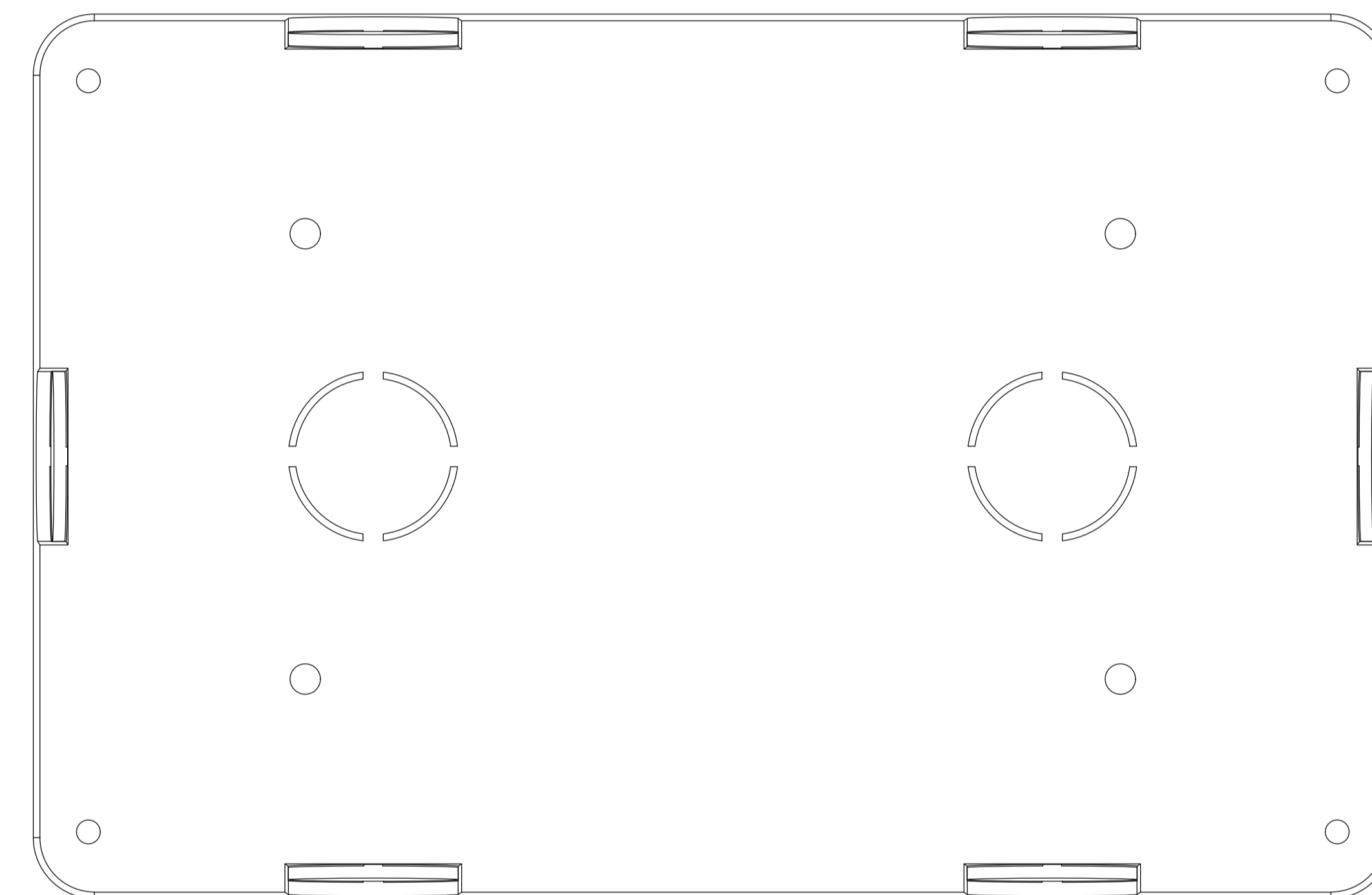
Top View



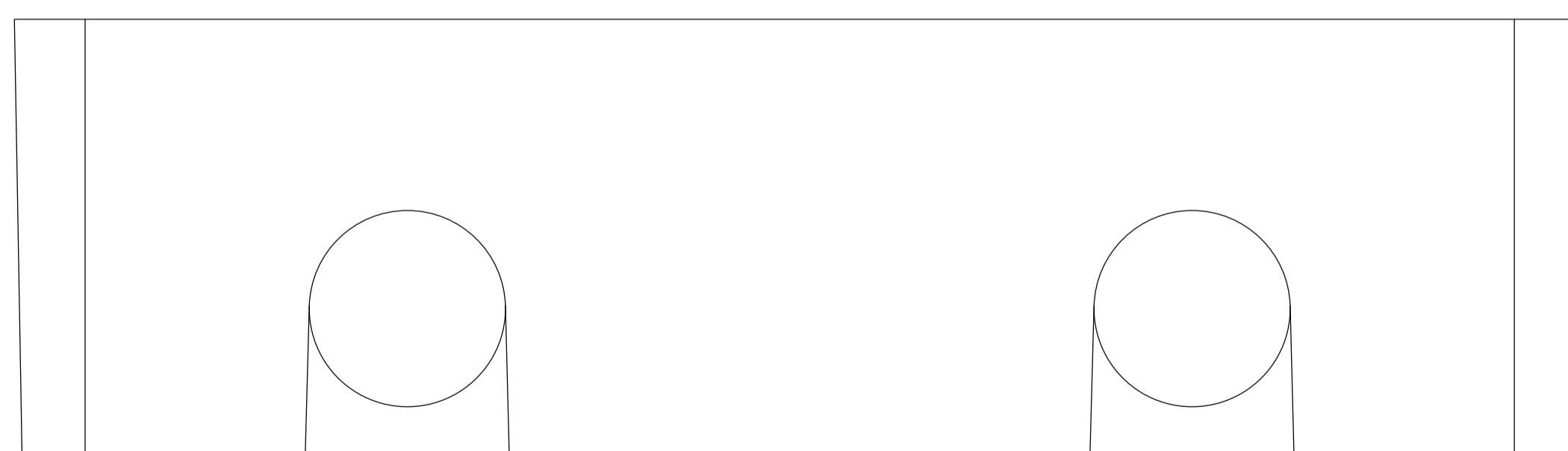
Front View



Right Side View

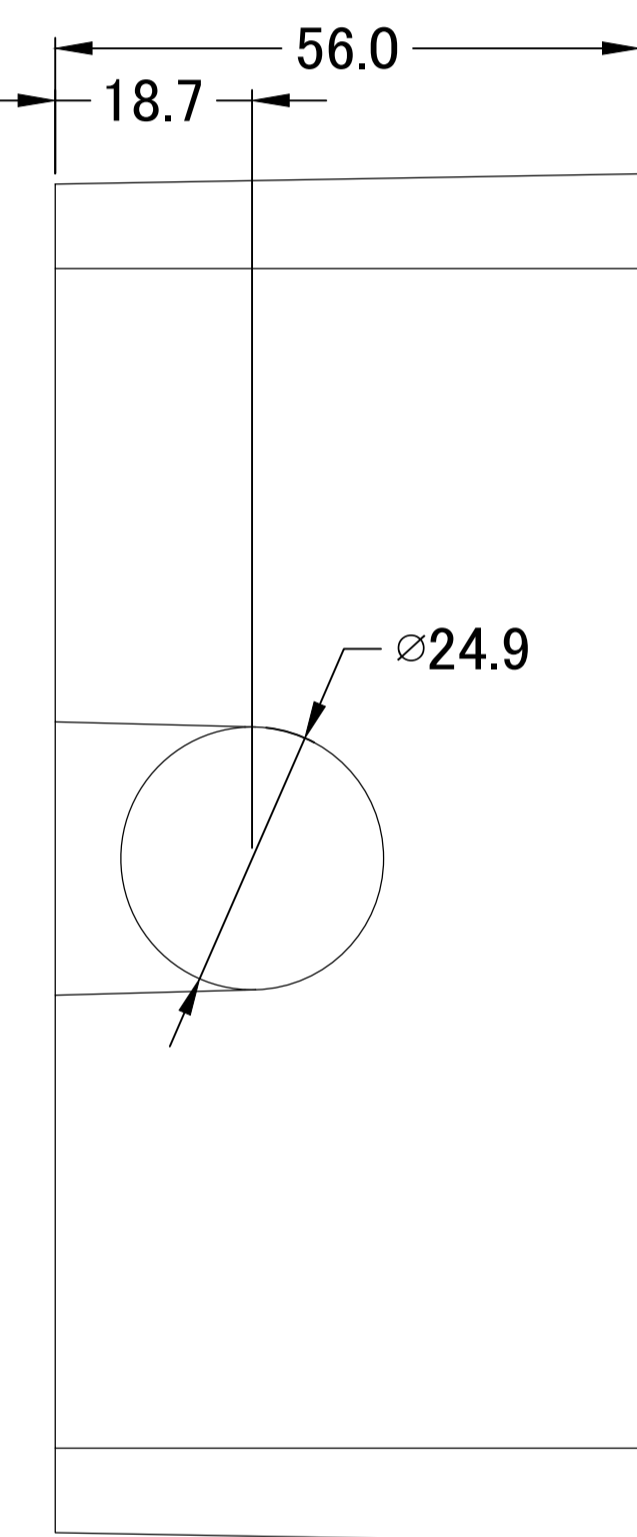


Rear View



Bottom View

Unit: mm



Left Side View