



# Quick Start for M-2017

Jun 2016, Version 1.0.0

## Congratulations!

Thank you for purchasing M-2017 - the most popular automation solution for remote monitoring and control application. This Quick Start Guide provides information for getting started with M-2017. Please also consult the User Manual for detailed information on the setup and use of M-2017.

## What's In the shipping box?

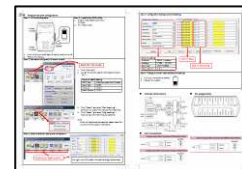
In addition to this guide, the box includes the following items:



**M-2017**



**CD**



**Quick Start**

## Technical Support

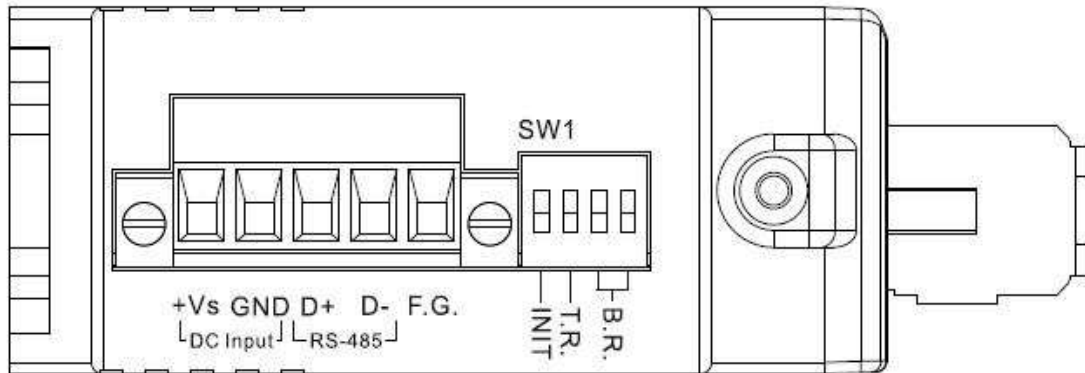
- ICP DAS Web site

<http://www.icpdas.com/>

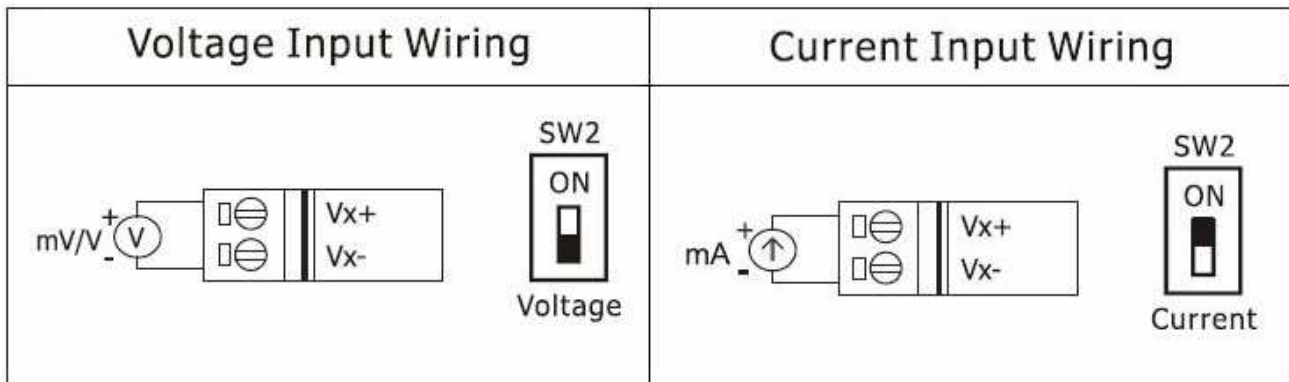
# 1 Understanding the Wiring Diagrams

Before installing the hardware, you should have a basic understanding of wiring diagrams.

## 1.1 Power Terminal Assignment



## 1.2 Wiring Diagrams



### 1.2.1 Wiring Recommendations

Use 26-12 AWG wire for signal connections.

Strip the wire to a length of  $7 \pm 0.5$ mm.

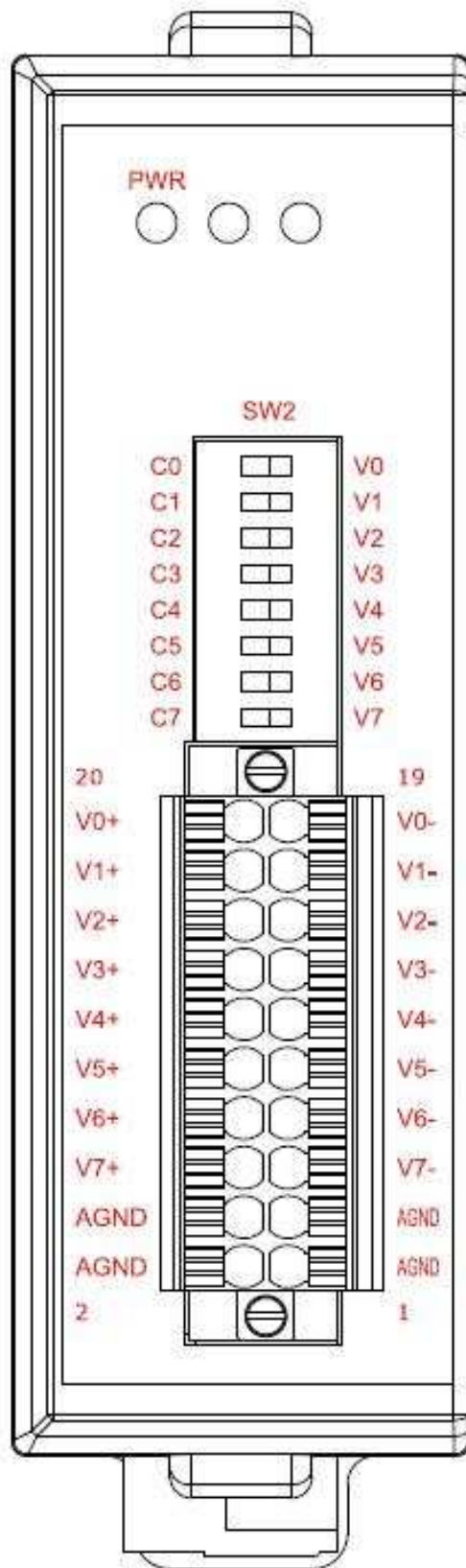
Use a crimp terminal for wiring.

Avoid high-voltage cables and power equipment as much as possible.

For RS-485 communication, use insulated and twisted pair 24 AWG wire, e.g.

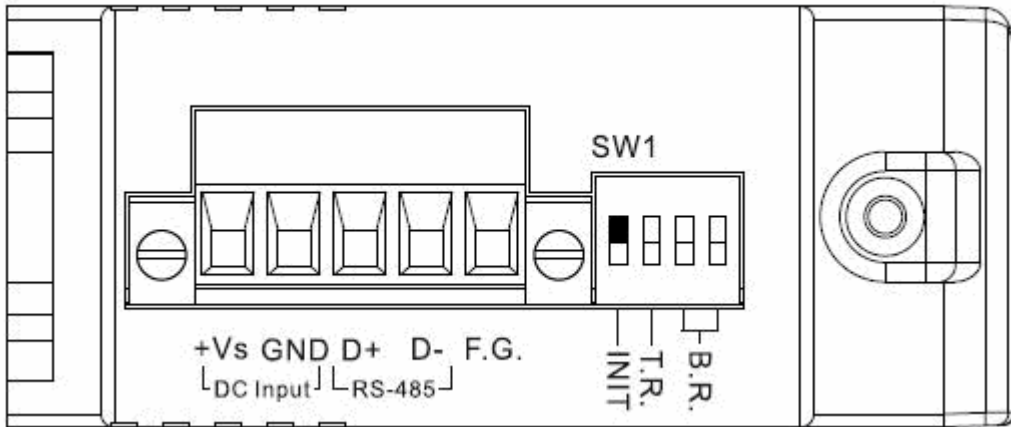
Belden 9841.

### 1.3 Signal Terminal Assignment



## 2 Booting the M-2017 in Initial Mode

Make sure the SW1 is placed in the "INIT" position.



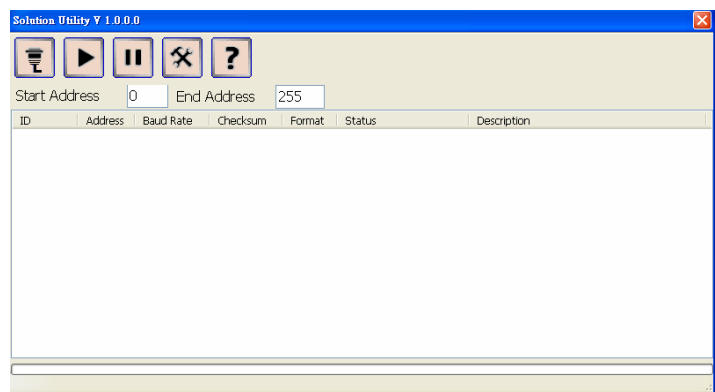
## 3 Using DCON Utility to Initiate the M-2017

The M-2017 is a DCON/Modbus RTU protocol I/O module, you can use the DCON Utility to easily initiate it.

### Step 1: Run the DCON\_Utility\_Pro



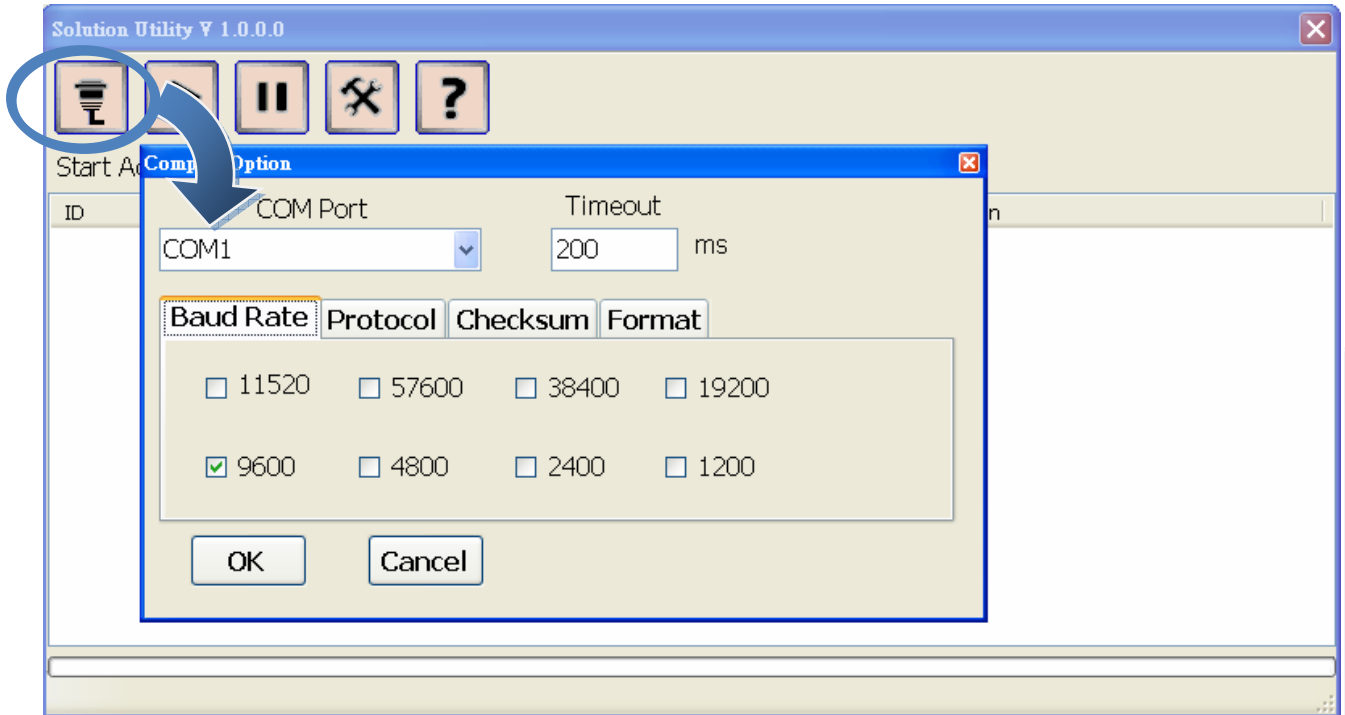
Double-click the DCON\_Utility\_Pro shortcut on your desktop.



## Step 2: Use port COM1 to communicate with M-2017

Click “COM Port” from the menu, a dialog box will appear.

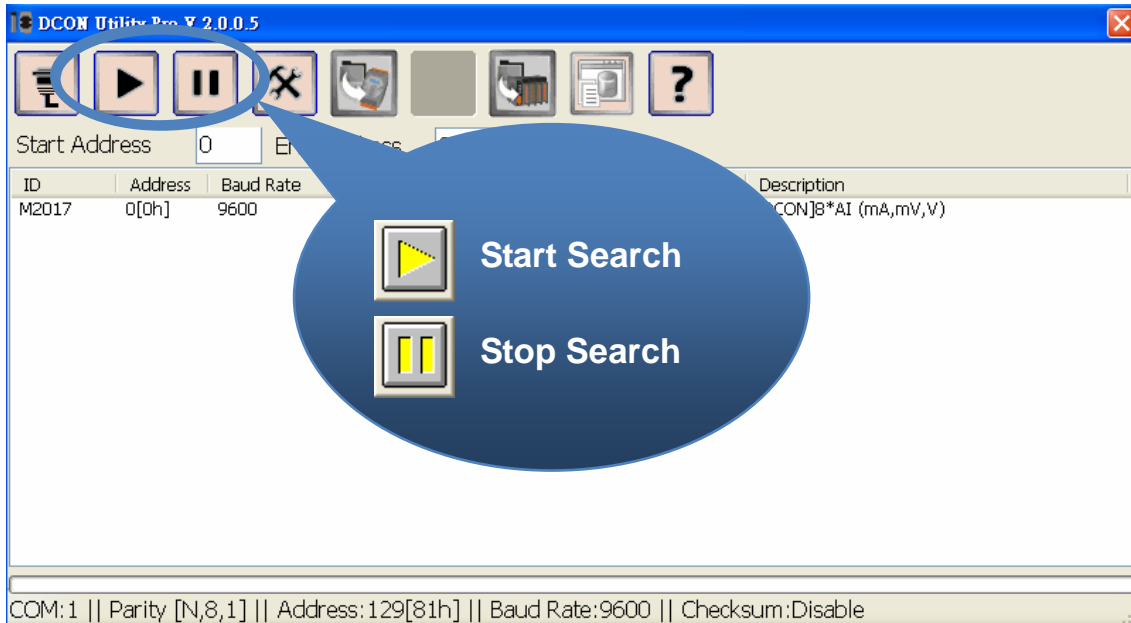
In the dialog box, set the communication parameters as described in the following table.



Communication parameter	Factory default Value
Address	01
Baud Rate	9600
Protocol	Modbus RTU
Format	N,8,1

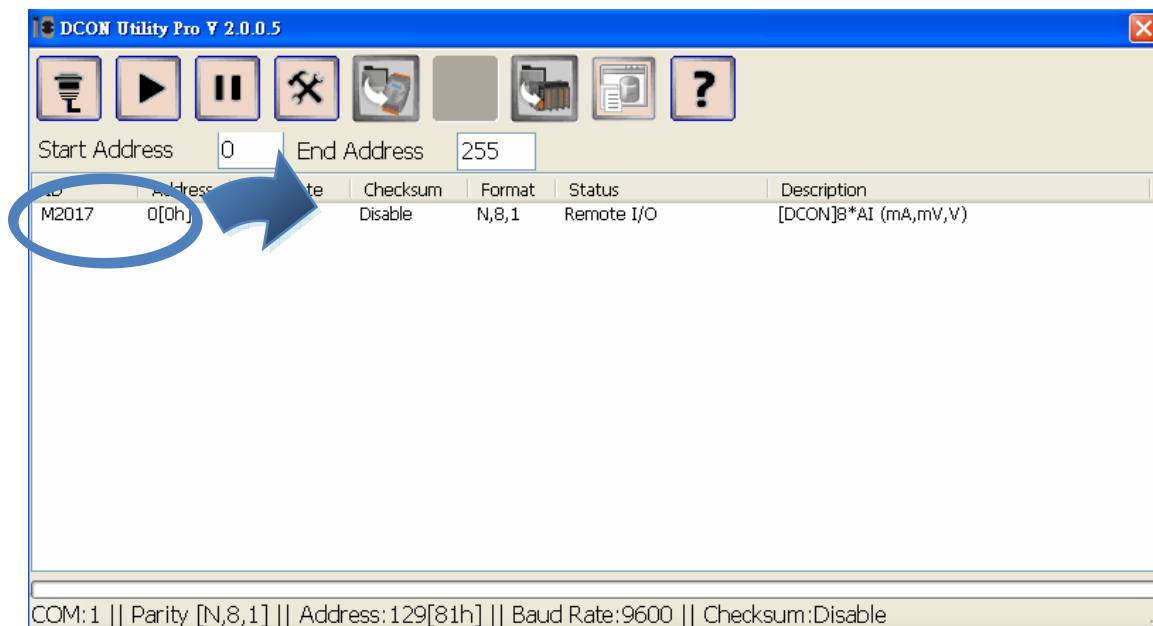
### Step 3: Search the M-2017

Click the “Start Search” button from the toolbox to search the M-2017. After the item of M-2017 displayed in the list, click the “Stop Search” button from the toolbox.



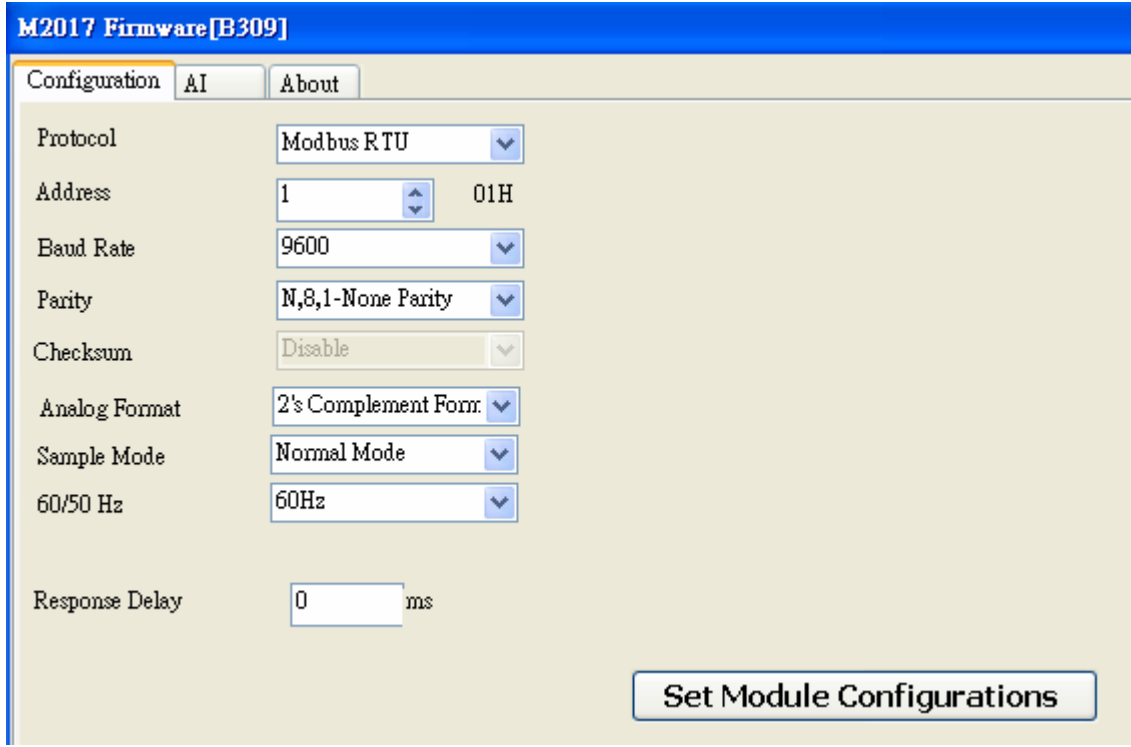
### Step 4: Connect to M-2017

Click on the name of the module in the list, a dialog box will appear.



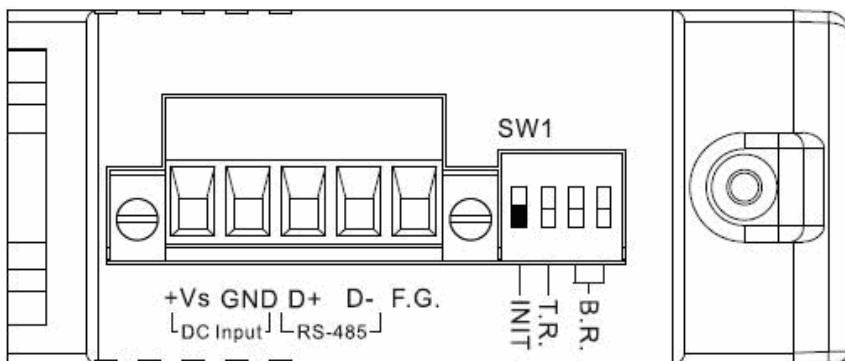
## Step 5: Initiate the M-2017

Set 1 to the “Address” field in the dialog box, and then click the “Set Module Configurations” button to save it.



## 4 Rebooting the M-2017 in Normal Mode

Make sure the switch is placed in the “Normal” position.



# 5 Starting the Module Operation

After rebooting the M-2017, search the M-2017 to make sure the settings has been changed. You can click on the module name in the list to start configuration and testing.

