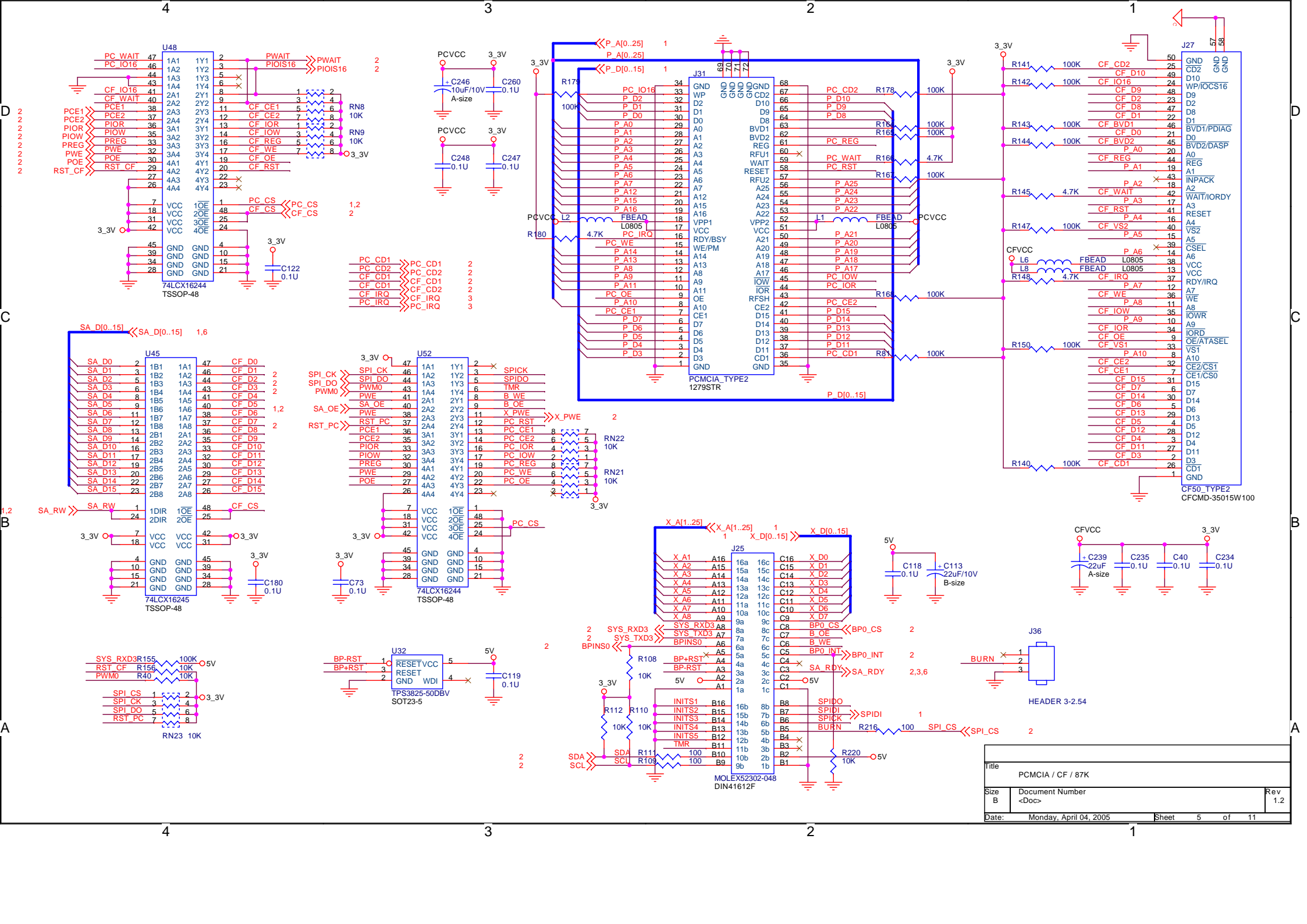
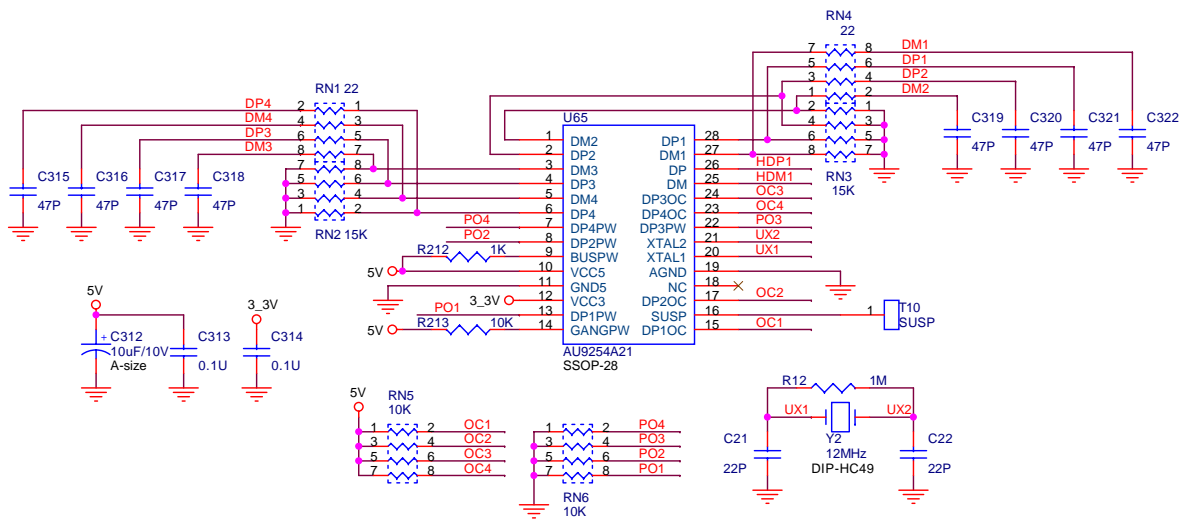
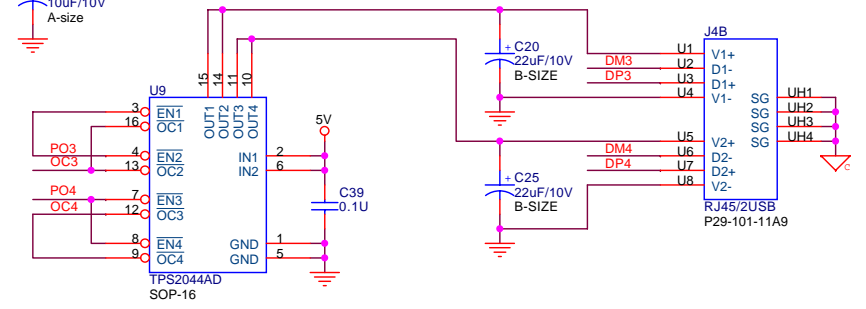
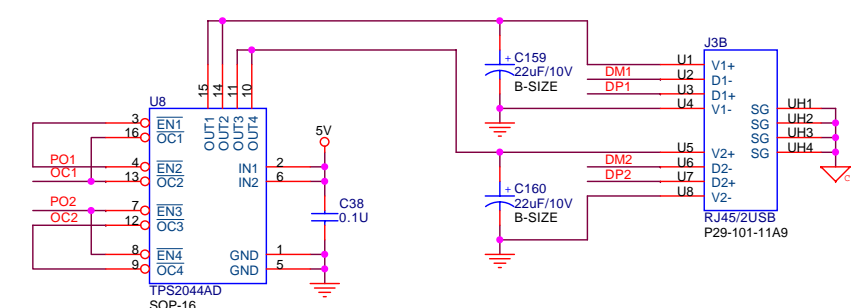
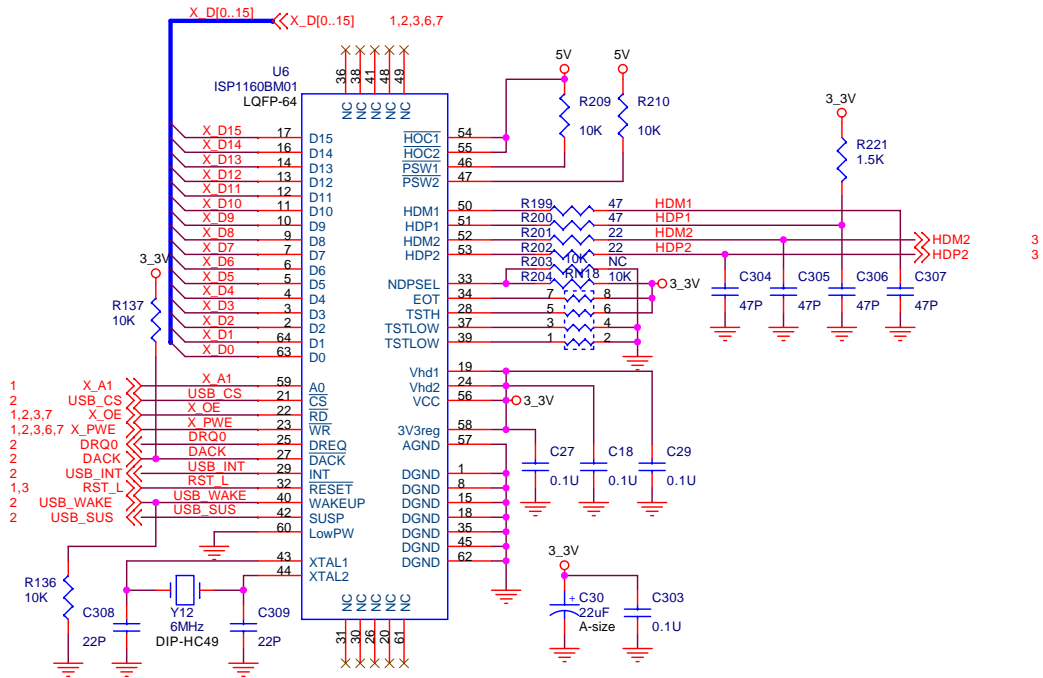
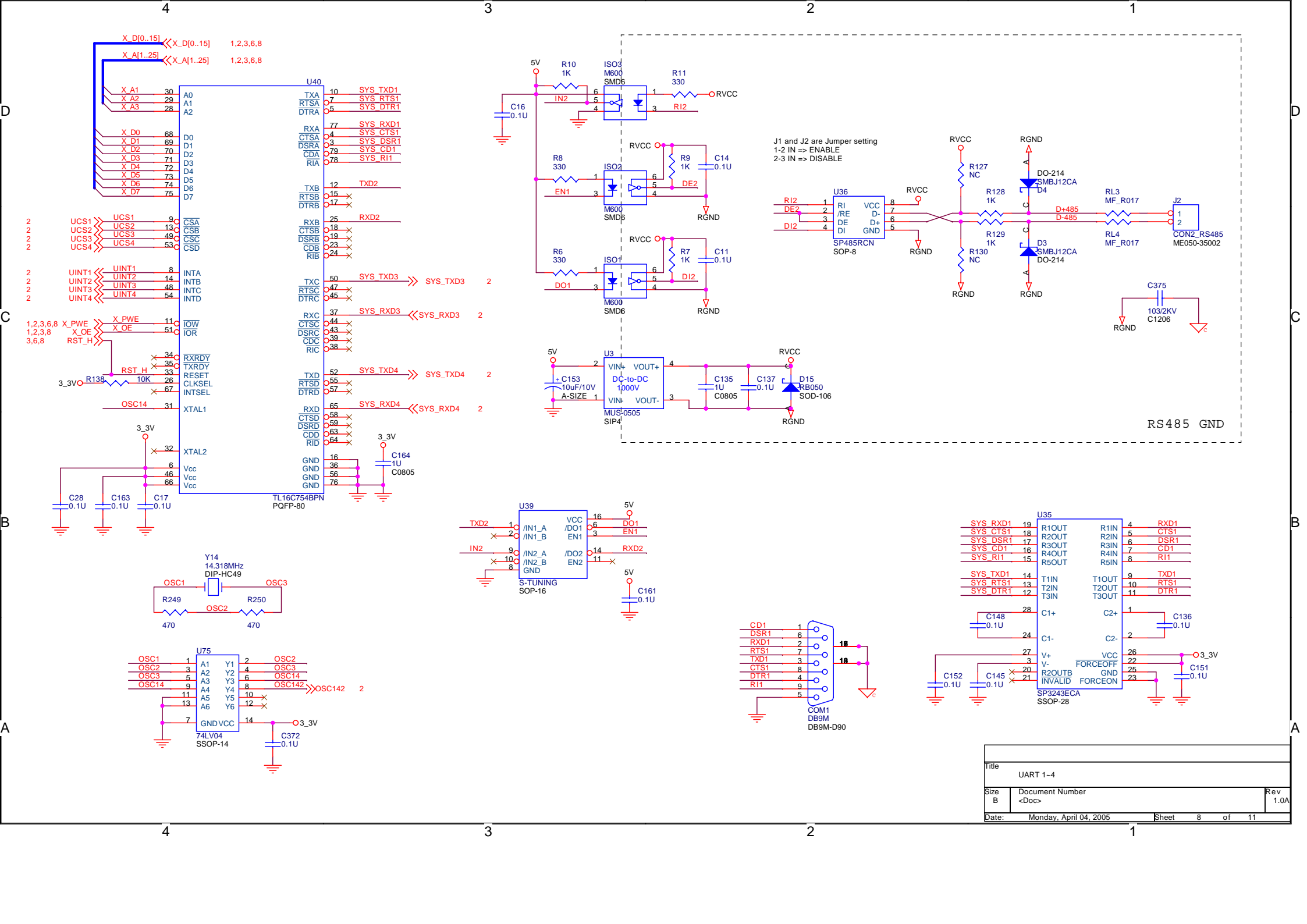


Title		
GPIO / CPLD		
Size	Document Number	Rev
B	<Doc>	1.2
Date:	Monday, April 04, 2005	Sheet 2 of 11

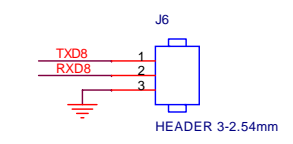
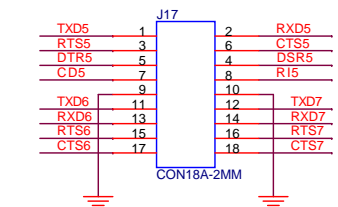
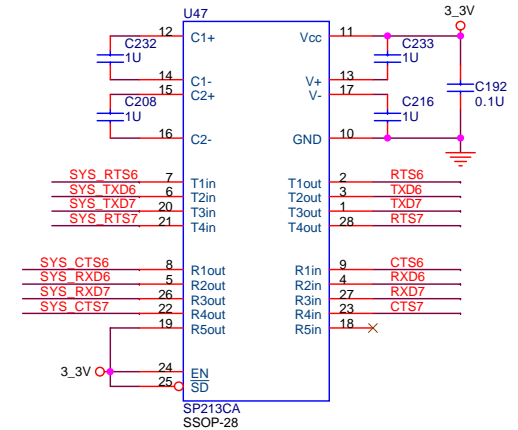
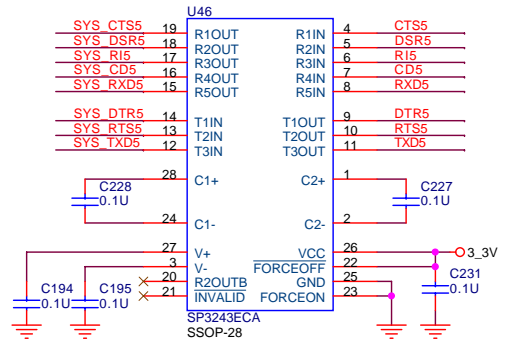
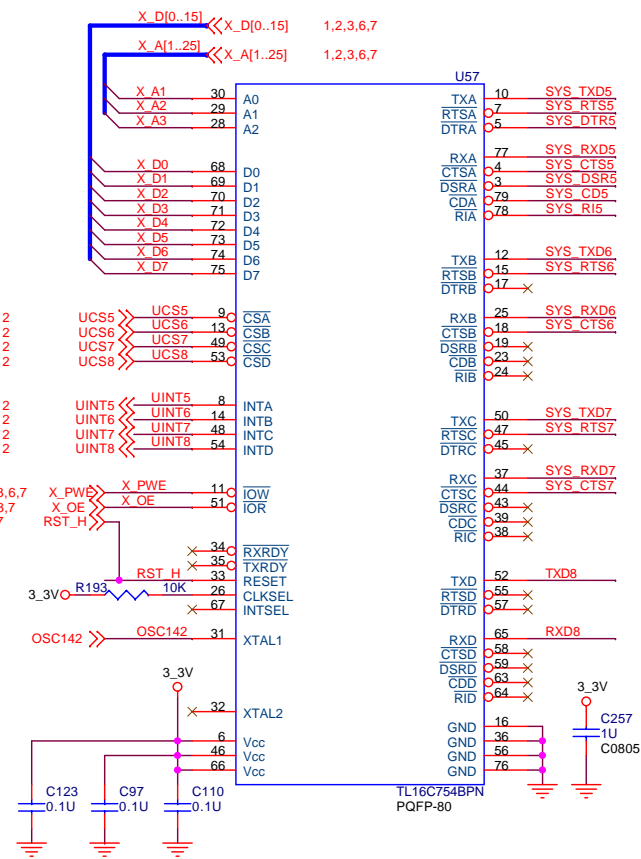




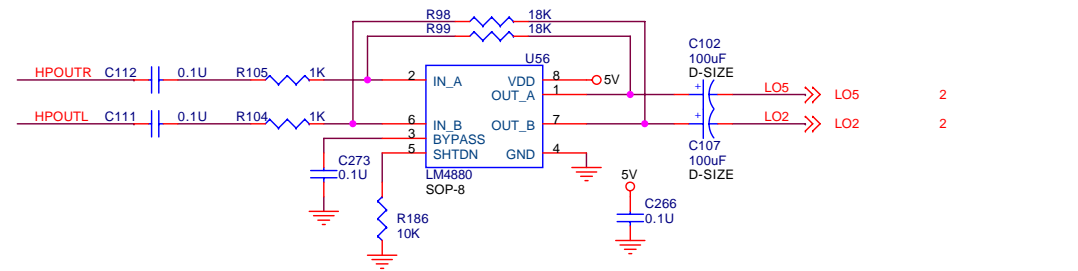
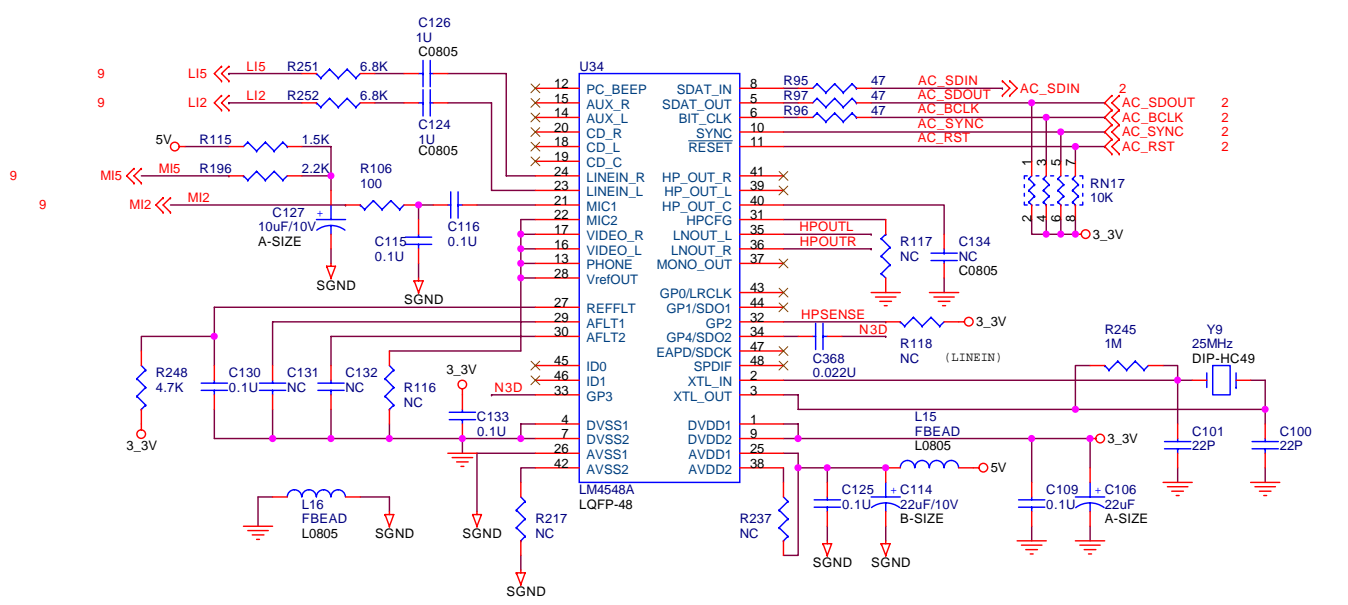
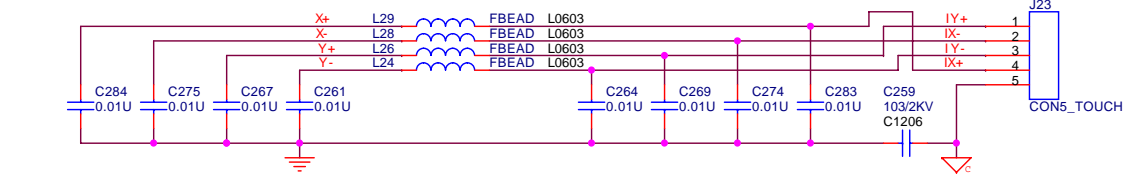
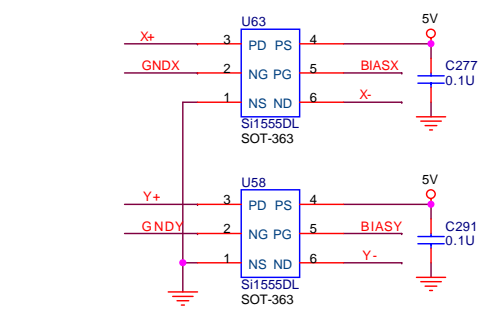
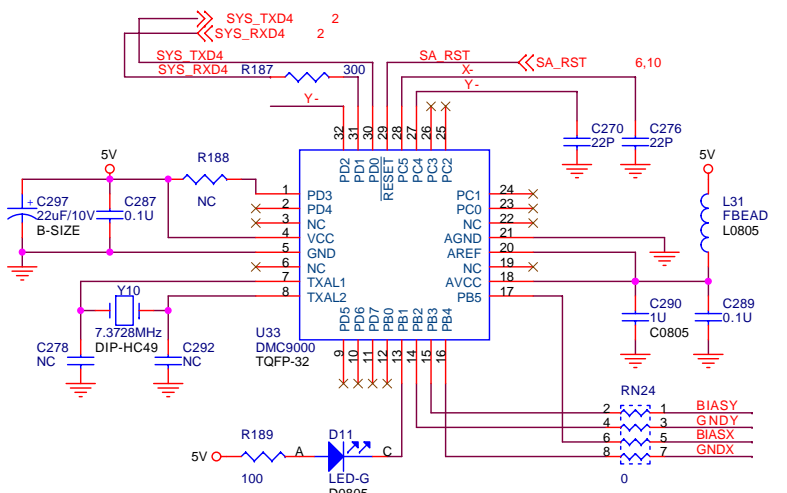
Title		
USB HOST		
Size	Document Number	Rev
B	<Doc>	1.0A
Date:	Monday, April 04, 2005	Sheet 7 of 11



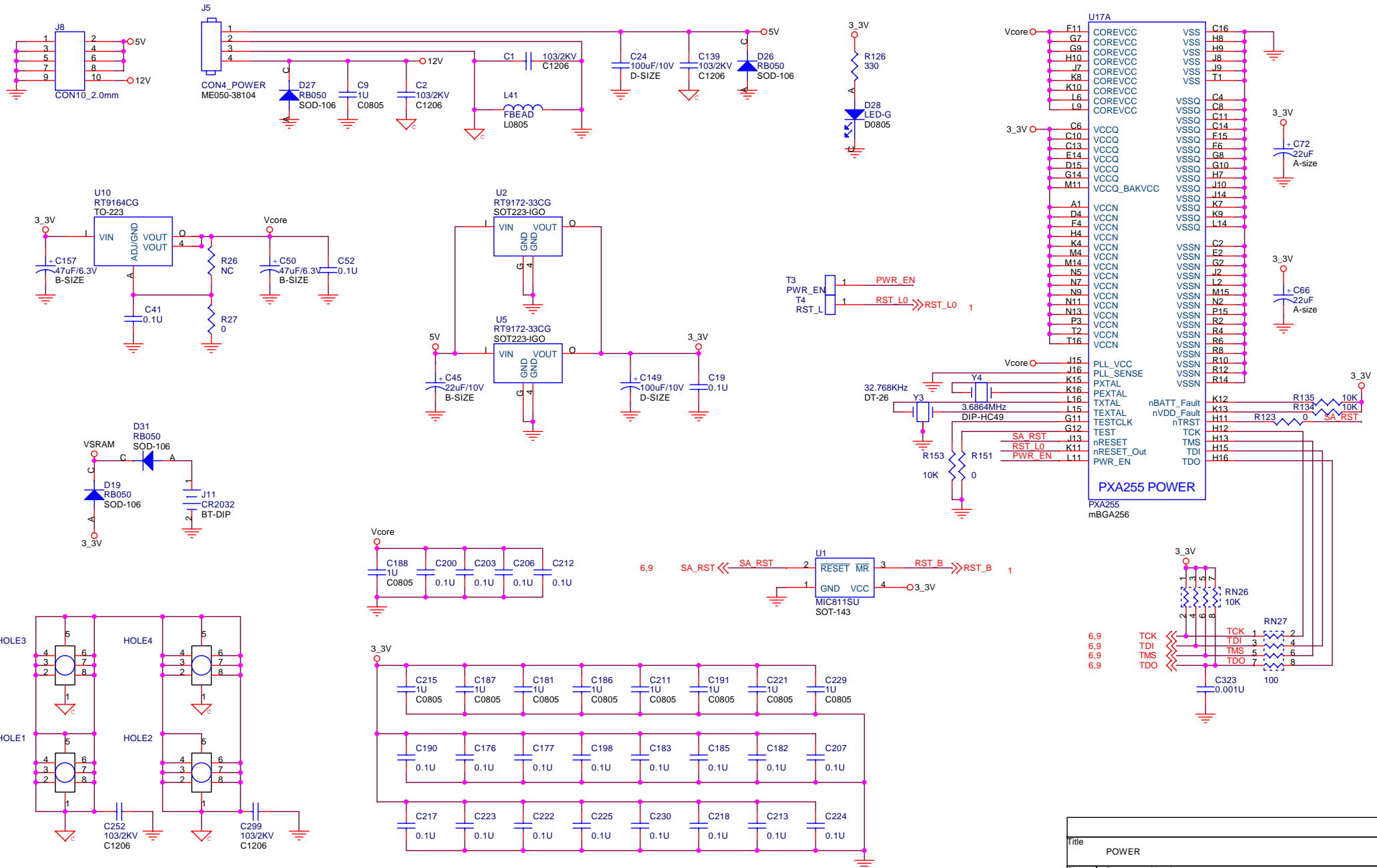
Title		
UART 1-4		
Size	Document Number	Rev
B	<Doc>	1.0A
Date:	Monday, April 04, 2005	Sheet 8 of 11



Title		
UART 5-8		
Size	Document Number	Rev
B	<Doc>	1.0A
Date:	Monday, April 04, 2005	Sheet 9 of 11



Title		
AUDIO / TOUCH		
Size	Document Number	Rev
B	<Doc>	1.0A
Date:	Monday, April 04, 2005	Sheet 10 of 11



Title POWER		
Size B	Document Number <Doc>	Rev 1.0A
Date: Monday, April 04, 2005	Sheet 11	of 11