



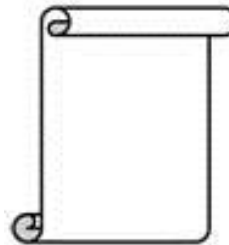
DL-300-IP65 Series Quick Start

v1.10, Feb 2019

What's in the shipping box?



DL-30x-IP65



Quick Start



IP67 Power Plug x2



IP67 RJ45 Plug

Technical Support:

- **DL-300-IP65 Series User Manual**

http://ftp.icpdas.com/pub/cd/IloT/dl-300-ip65/user_manual/

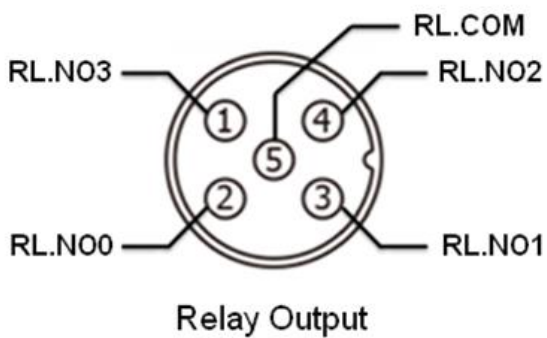
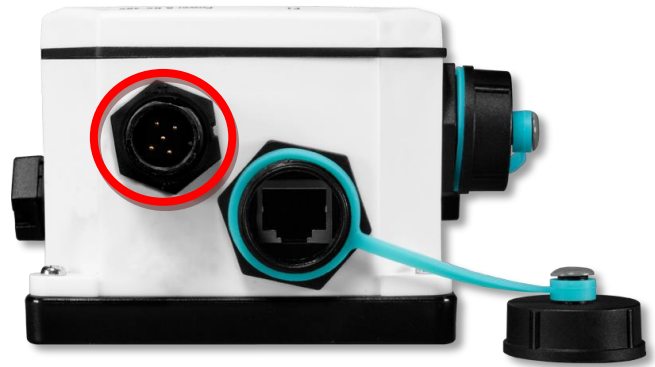
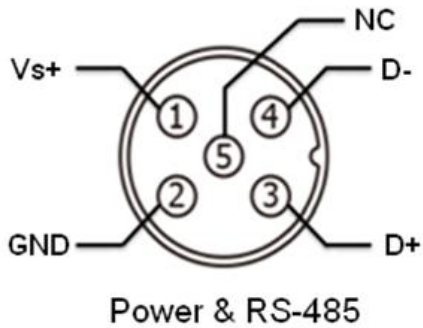
- **For DL-300-IP65 Utility**

<http://ftp.icpdas.com/pub/cd/IloT/utility/>

- **DL-300-IP65 Website**

http://www.icpdas.com/root/product/solutions/remote_io/rs-485/dl_series/dl_selectio.html

Connector for Power/ RS-485/ Alarm Relay Output



If there is any other question, please feel free to contact us.

Email: service@icpdas.com