



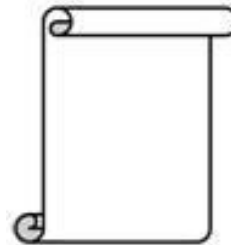
DL-300-IP65 Series Quick Start

v1.0, Jan 2018

What's in the shipping box?



DL-300-IP65



Quick Start



IP67 Power Plug x2



IP67 RJ45 Plug

Technical Support

CD:\Napdos\IIoT\DL-300-IP65\

- **DL-300-IP65 Series User Manual**

<http://ftp.icpdas.com/pub/cd/usbcd/napdos/iiot/dl-300-ip65/document/>

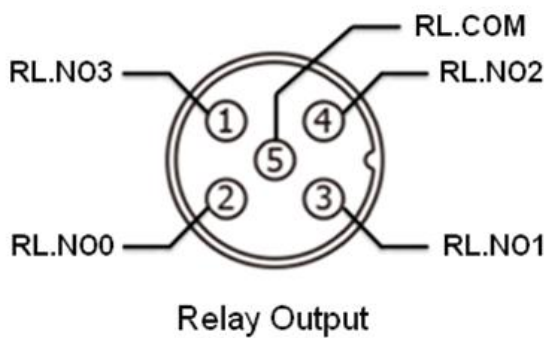
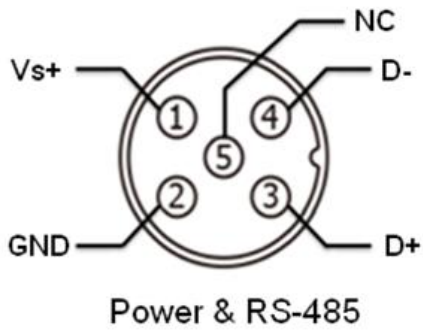
- **DL-300 Utility**

http://ftp.icpdas.com/pub/cd/usbcd/napdos/iiot/utility/dl300_utility/

- **DL-300-IP65 Website**

http://www.icpdas.com/root/product/solutions/remote_io/rs-485/dl_series/dl-302-ip65.html

Connector for Power/ RS-485/ Alarm Relay Output



If there is any other question, please feel free to contact us.

Email: service@icpdas.com