

CL-200-WF Quick Start

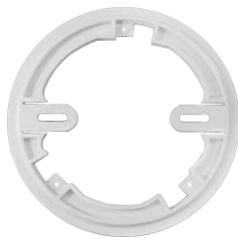
Apr. 2019
Version 1.0.0

1

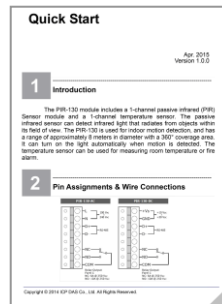
Package Contents



CL-200-WF
Module



Mounting Plate



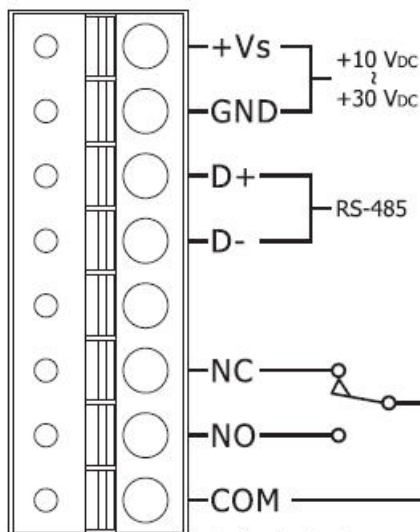
Quick Start



M4x12 Drywall
Screws x 2

2

Wire Connections



Relay Output
Form C

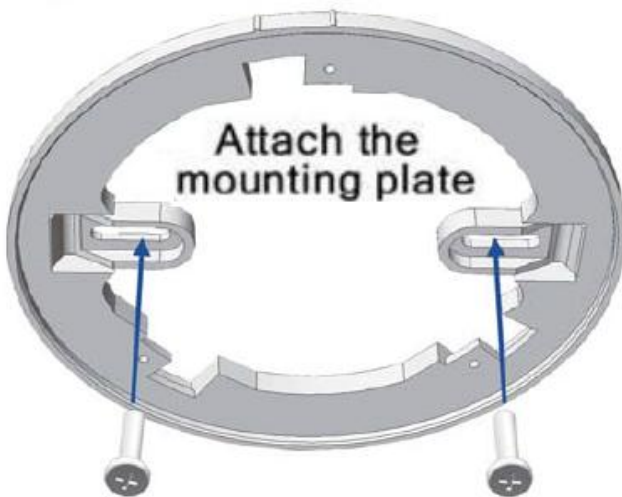
NC: 6A @ 250 VAC

NO: 10A @ 250 VAC

3

Installation

①



② Align locking guides



③ Turn the cover clockwise



④ Lock the cover in place



4

Powering-on the CL-200-WF logger

The factory default settings for Wi-Fi communication of the CL-200-WF are as follows.

- Mode: **AP**
- Wireless Security: WPA/WPA2, "00000000"
- DHCP Server (AP Mode): DHCP Server on, start IP:
192.168.255.2
- Wi-Fi Channel (AP Mode): 11
- IP Address: 192.168.255.1
- Gateway Address: 192.168.255.254
- Subnet Mask: 255.255.0.0
- SSID: CL-200-WF
- Modbus TCP Port: 502

The Wi-Fi IIOT Utility is provided to configure and test the CL-200-WF module through the Wi-Fi interface. Please refer to chapter 5 of the user manual for details. You can also use a browser to configure and test the CL-200-WF module through the Ethernet interface. Please refer to chapter 3 of the user manual for details.

5

Technical Support

- User Manual and Utility
[http://ftp.icpdas.com/pub/cd/IIoT/CL-200/document/User Manual](http://ftp.icpdas.com/pub/cd/IIoT/CL-200/document/UserManual)

<http://ftp.icpdas.com/pub/cd/IIoT/utility/>
- Product Website
<http://www.icpdas.com/root/product/solutions/remoteio/rs-485/clseries/cl-201-wf.html>

<http://www.icpdas.com/root/product/solutions/remoteio/rs-485/clseries/cl-210-wf.html>
- E-mail
service@icpdas.com