

# PIR-23x-E Series Quick Start

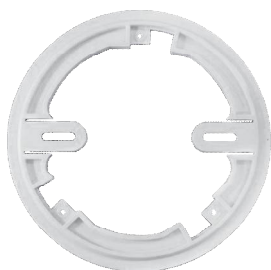
Apr. 2019  
Version 1.1.0

## 1

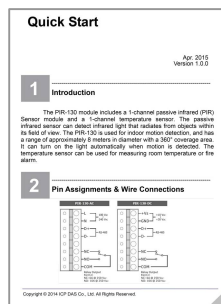
### Package Contents



Module



Mounting Plate



Quick Start

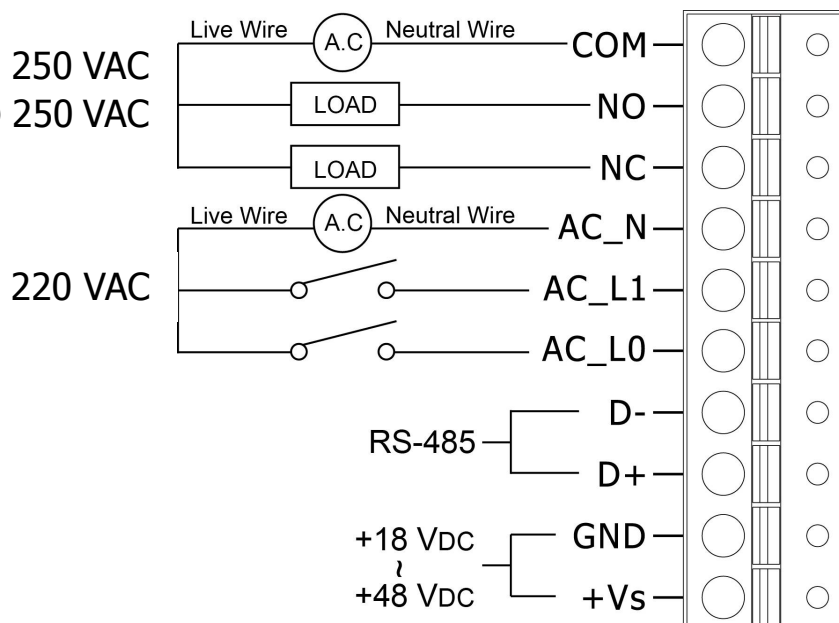


M4x12 Drywall  
Screws x 2

## 2

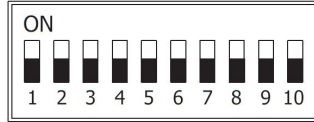
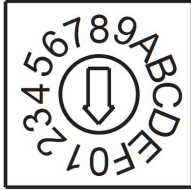
### Wire Connections

NO: 10 A @ 250 VAC  
NC: 6 A @ 250 VAC



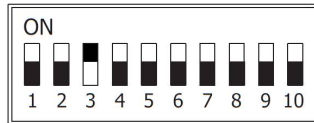
# 3

## Switch Setting



When **DIP3=OFF**

Rotary Switch 0 ~ F for  
Node Addresses 160~175  
(Low Node Address)



When **DIP3=ON**

Rotary Switch 0 ~ F for  
Node Addresses 176~191  
(High Node Address)

Function		Switch Number and Setting									
		1	2	3	4	5	6	7	8	9	10
Protocol	Modbus	OFF	---	---	---	---	---	---	---	---	---
	DCON	ON	---	---	---	---	---	---	---	---	---
Configuration	Hardware	---	OFF	---	---	---	---	---	---	---	---
	Software	---	ON	---	---	---	---	---	---	---	---
Address	Low Node	---	---	OFF	---	---	---	---	---	---	---
	High Node	---	---	ON	---	---	---	---	---	---	---
Mode	Normal	---	---	---	OFF	---	---	---	---	---	---
	INIT	---	---	---	ON	---	---	---	---	---	---
PIR Operating (For PIR-230 only)	Dawn	---	---	---	---	OFF	---	---	---	---	---
	Dust	---	---	---	---	ON	---	---	---	---	---
Sensitivity (For PIR-230 only)	Maximum	---	---	---	---	---	OFF	OFF	---	---	---
	High	---	---	---	---	---	OFF	ON	---	---	---
	Low	---	---	---	---	---	ON	OFF	---	---	---
	Minimum	---	---	---	---	---	ON	ON	---	---	---
ON Time	6	---	---	---	---	---	---	---	OFF	OFF	OFF

<b>Control (Seconds)</b>	<b>16</b>	---	---	---	---	---	---	---	OFF	OFF	ON
	<b>33</b>	---	---	---	---	---	---	---	OFF	ON	OFF
	<b>66</b>	---	---	---	---	---	---	---	OFF	ON	ON
	<b>131</b>	---	---	---	---	---	---	---	ON	OFF	OFF
	<b>262</b>	---	---	---	---	---	---	---	ON	OFF	ON
	<b>524</b>	---	---	---	---	---	---	---	ON	ON	OFF
	<b>1049</b>	---	---	---	---	---	---	---	ON	ON	ON

# 4

## Technical Support

- User Manual and Utility  
[http://ftp.icpdas.com/pub/cd/IIoT/PIR-200/document/User Manual](http://ftp.icpdas.com/pub/cd/IIoT/PIR-200/document/UserManual)  
<http://ftp.icpdas.com/pub/cd/IIoT/utility/>
- Product Website  
[http://www.icpdas.com/root/product/solutions/remote\\_io/rs-485/sensor\\_series/sensor\\_series\\_selection.html](http://www.icpdas.com/root/product/solutions/remote_io/rs-485/sensor_series/sensor_series_selection.html)
- E-mail  
[service@icpdas.com](mailto:service@icpdas.com)

# 5

---

## **Factory Default Settings**

IP : 192.168.255.1

Gateway : 192.168.0.1

Mask : 255.255.0.0