

## SUPPORT

Models supported include  
DS-712 and DS-715

## WARRANTY

All products manufactured by ICP DAS are warranted against defective materials for a period of one year from the date of delivery to the original purchaser.

## WARNING

ICP DAS assumes no liability for damages consequent to the use of this product. ICP DAS reserves the right to change this manual at any time without notice. The information furnished by ICP DAS is believed to be accurate and reliable. However, no responsibility is assumed by ICP DAS for its use, nor for any infringements of patents or other rights of third parties resulting from its use.

## COPYRIGHT

Copyright © 2018 by ICP DAS. All rights are reserved.

## TRADEMARKS

Names are used for identification purposes only and may be registered trademarks of their respective companies.

## CONTACT US

If you have any questions, please feel free to contact us. We will respond within 2 working days.

Email: [service@icpdas.com](mailto:service@icpdas.com) ; [service.icpdas@gmail.com](mailto:service.icpdas@gmail.com)

# DS-700 Series

MiniOS7 Update via 7188XW.exe

Version: 1.0/ Updated: Aug. 2018

## Ch. 1. Setting up the DS-700

## Ch. 2. MiniOS7 Update Procedure

## Ch. 3. Additional Information



ICP DAS CO., LTD.

Website: <http://www.icpdas.com>

# 1. Setting up the DS-700

Before updating the firmware, please ensure that the DS-700 module is connected with your host computer. Refer to the following steps for the details.

Step 1: **Switch off** the Power to the DS-700 module.

Step 2: Connect the DS-700 module to your host computer.

- DS-712: Connect the COM1 connector on DS-712 to COM Port on host PC using the **CA-0910N cable**, as illustrated in the Figure 1-1 below. **Note: CA-0910N is a 3-wire Null-Modem cable (optional).**
- DS-715: Remove the screw and top shell first, and then connect the JP2 connector to COM Port on host PC using the **CA-0904 (optional)** and **CA-0915 (optional)**, as illustrated in the Figure 1-2 below.

Step 3: **Short the Init\* and GND pins** of the DS-700 module in “Init” to initiate the update.

Step 4: **Switch on** the Power to the PDS-700 module.

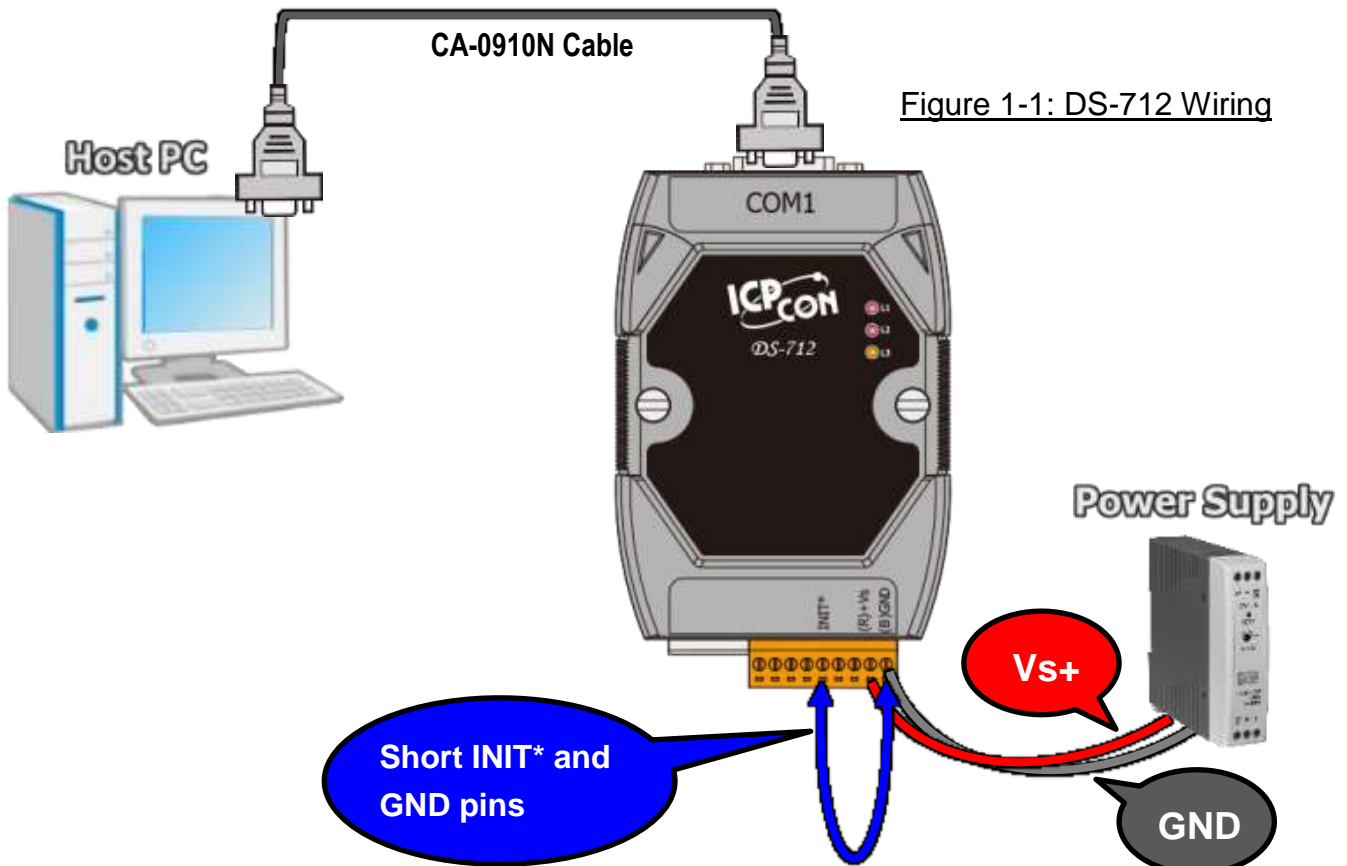
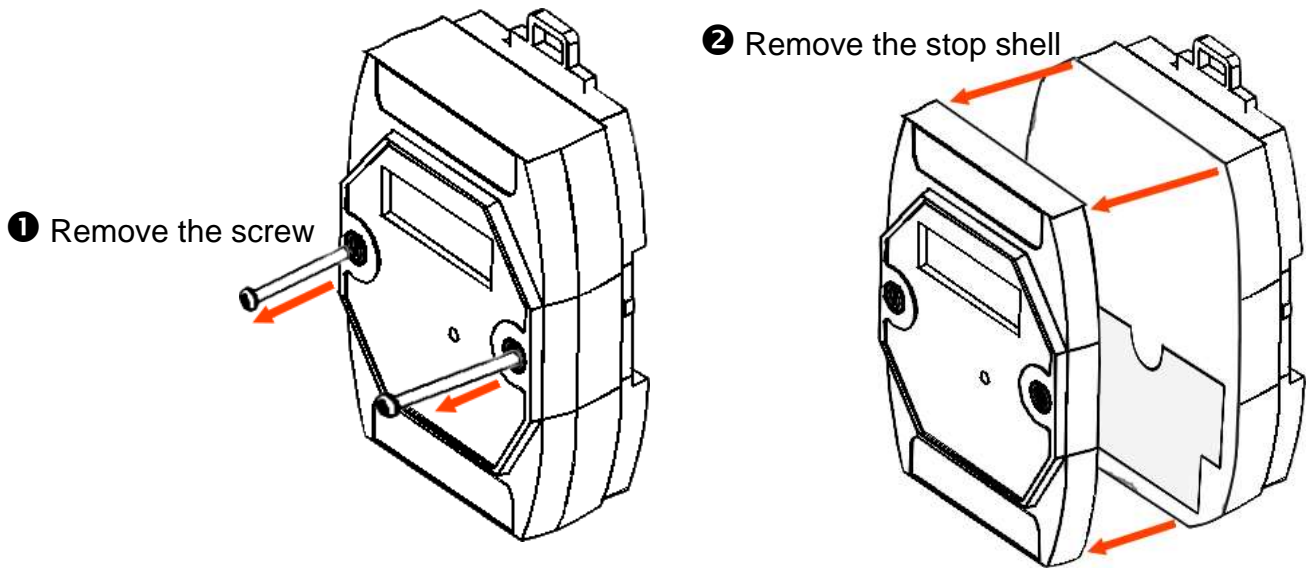
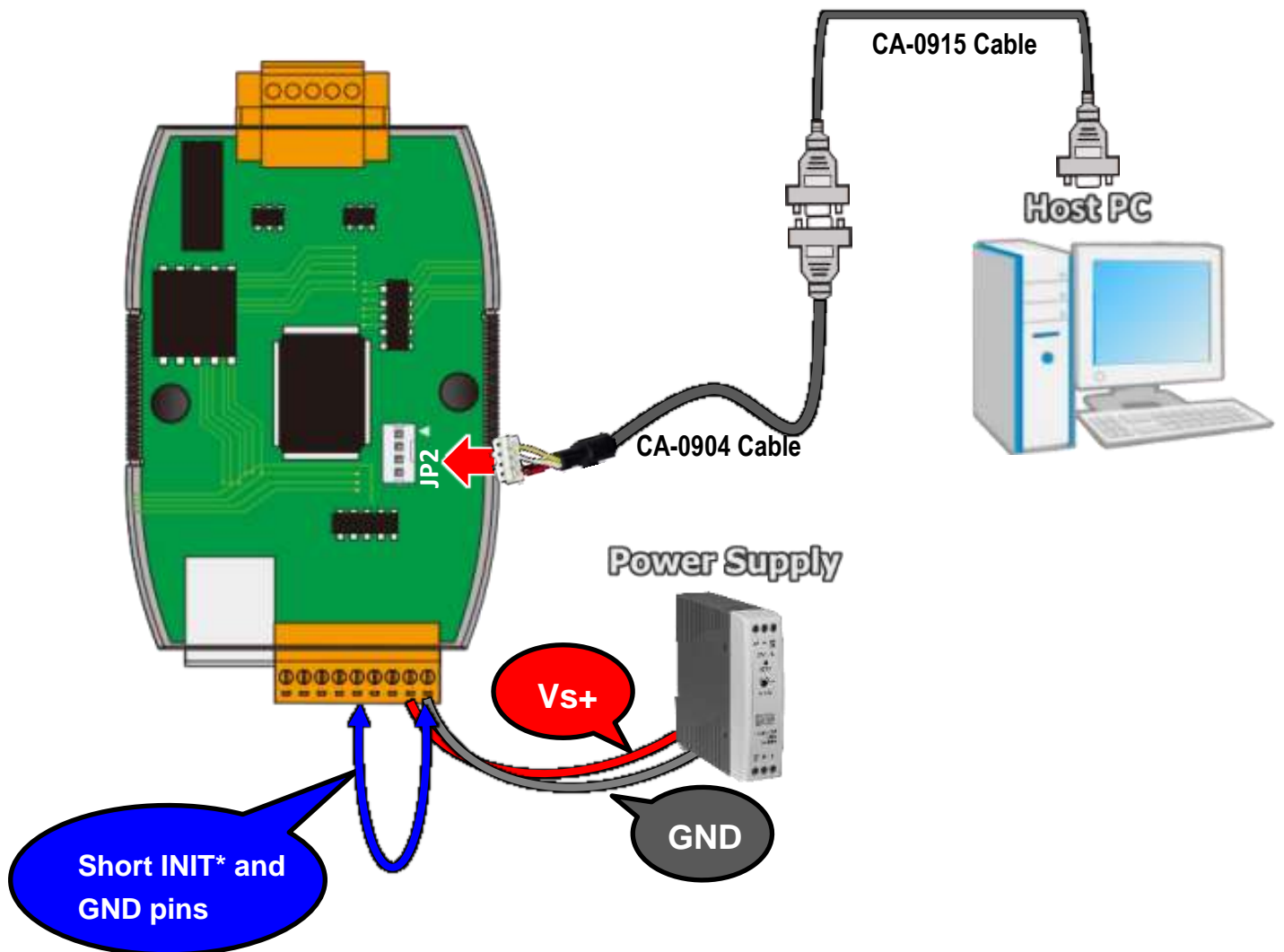


Figure 1-2: DS-715 Wiring



3 Connect the JP2 connector (RS-232) to COM Port on Host PC



## 2. MiniOS7 Update Procedure

**Step 1: Download the MiniOS7 File of DS-700 module and then decompress it to a temp folder, for example 7186EX\_UDP\_HR\_XXXXXX.**



[Download the MiniOS7 OS Image File.](#)

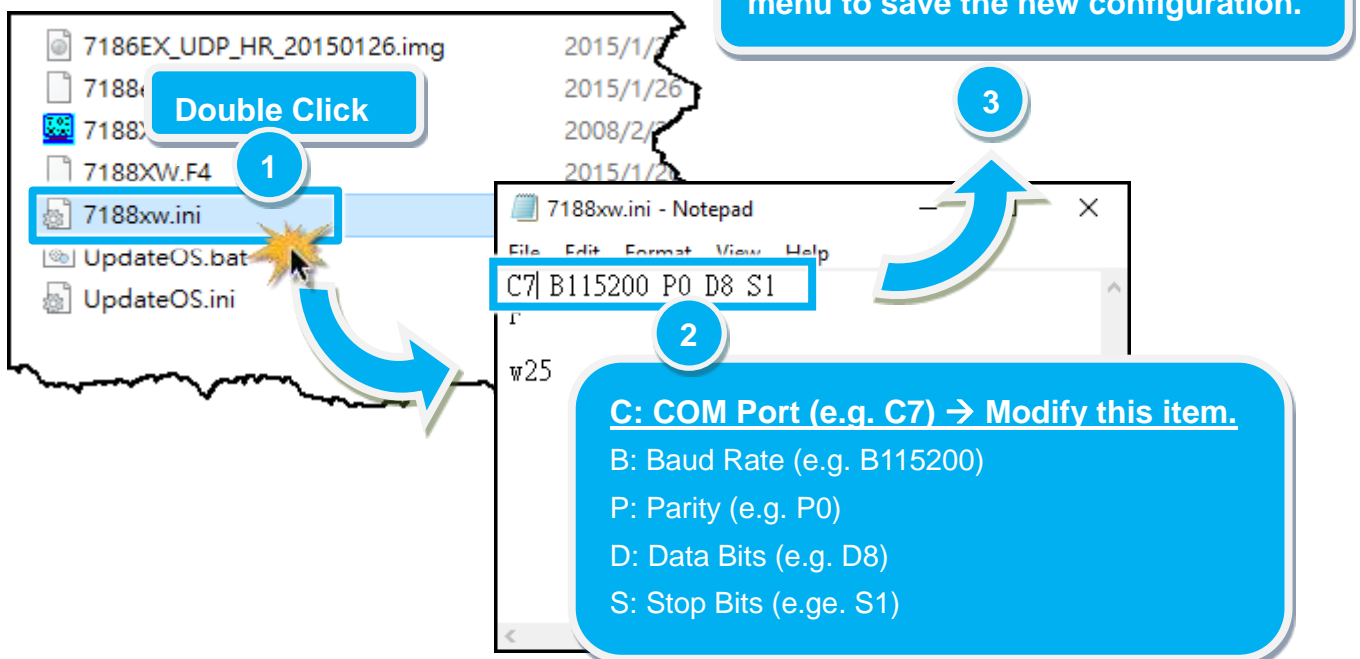
The DS-700 MiniOS7 OS Image file is compressed in Zip format. You can decompress the zip file by 7-Zip, WinZip, WinRAR... utilities.

**Step 2: Modify COM Port number in 7188xw.ini file, depend on your PC COM Port that connect to DS-700.**

For Example (first parameter of the line 1 in the 7188xw.ini)

COM1 ==> C1 B115200 P0 D8 S1

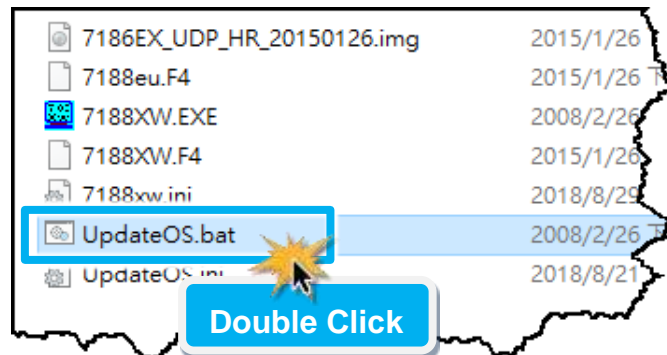
COM2 ==> C2 B115200 P0 D8 S1



The image shows a file explorer window on the left with a list of files including 7186EX\_UDP\_HR\_20150126.img, 7188xw.ini, UpdateOS.bat, and UpdateOS.ini. A blue box labeled 'Double Click' with a '1' in a circle points to 7188xw.ini. An arrow points from this box to a Notepad window titled '7188xw.ini - Notepad'. The Notepad window shows the text 'C7| B115200 P0 D8 S1' with a blue box labeled '2' in a circle highlighting the 'C7'. A blue box labeled '3' in a circle points to the 'File' menu in the Notepad window. A large blue box on the right contains the text: 'Select the "Save" item from the "File" menu to save the new configuration.'

**C: COM Port (e.g. C7) → Modify this item.**  
B: Baud Rate (e.g. B115200)  
P: Parity (e.g. P0)  
D: Data Bits (e.g. D8)  
S: Stop Bits (e.g. S1)

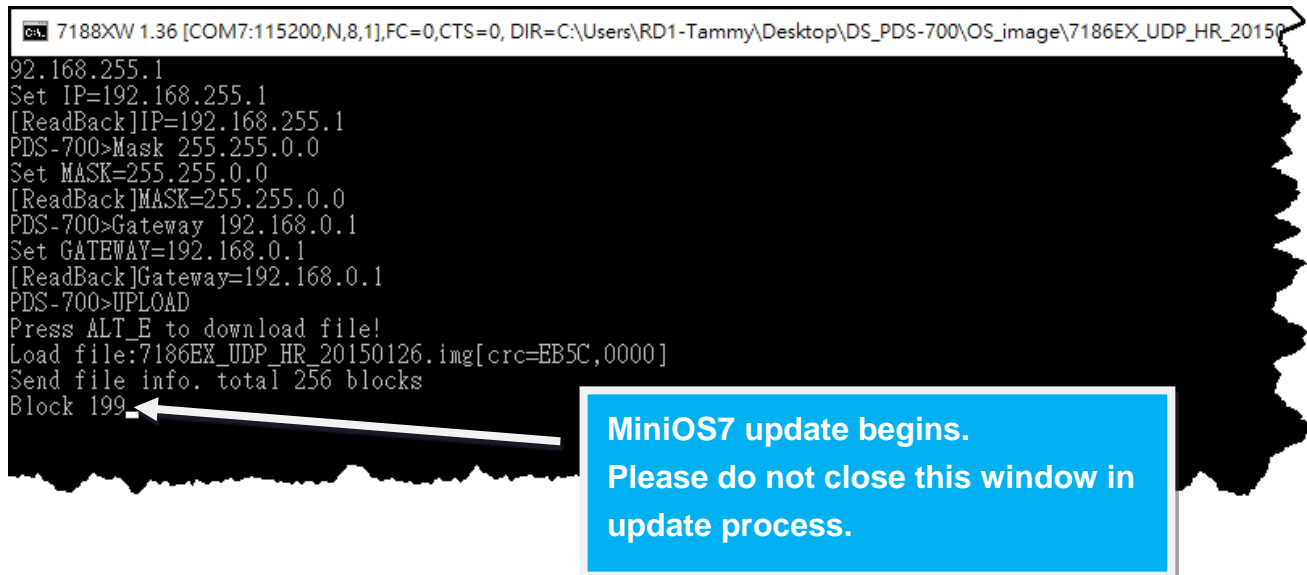
**Step 3: Double click the **UpdateOS.bat** for starting update.**



**Step 4: You are now ready to update the MiniOS7, the **UpdateOS.bat** file will auto run the **7188XW.exe** utility program and shows the progress of the update.**

**Step 5: The **7188XW.exe** utility program will then upload the **MiniOS7 file (7186EX\_UDP\_HR\_xxxxxxxx.img)** into DS-700 module automatically. If the update cannot proceed, please refer to note1 (Page 8).**

**Note: Some more information are displayed out of the window, don't care.**



**Step 6: The MiniOS7 updated completed when display [End file xxx] and [End of Key Thread.] message. Then click the "X" icon on the right-top corner of the windows to close it.**

```
7188XW 1.36 [COM7:115200,N,8,1],FC=0,CTS=0, DIR=C:\Users\RD1-Tammy\Desktop\DS_PDS-700\OS_image\7186EX_UDP_HR_20150126
[FF]
<<Write Finished>>OK
Wait WDT reset system...
ICP DAS MiniOS7_UDP for PDS-700 Ver. 2.02 build 029,Jan 26 2015 14:00:56
OS id=31
SRAM:512K, FLASH MEMORY:512K
[CPU=R2240]
CPU internal WDT is ENABLED(WDT timeout=0.8 sec)
Serial number= 5A 5A 5A 5A 5A 5A 5A 5A

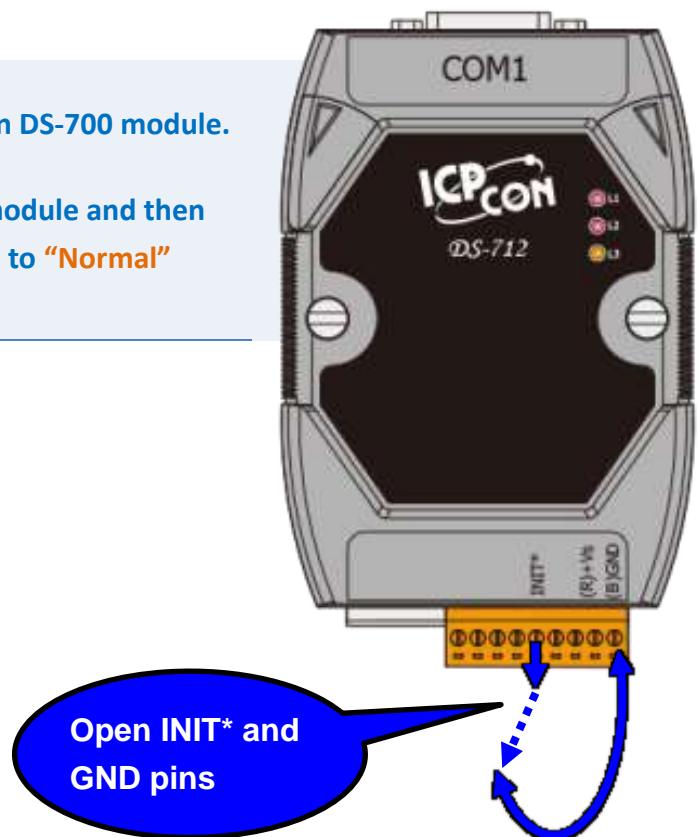
PDS-700>ver

ICP DAS MiniOS7_UDP for PDS-700 Ver. 2.02 build 029,Jan 26 2015 14:00:56
OS id=31
SRAM:512K, FLASH MEMORY:512K
[CPU=R2240]
CPU internal WDT is ENABLED(WDT timeout=0.8 sec)
Serial number= 5A 5A 5A 5A 5A 5A 5A 5A

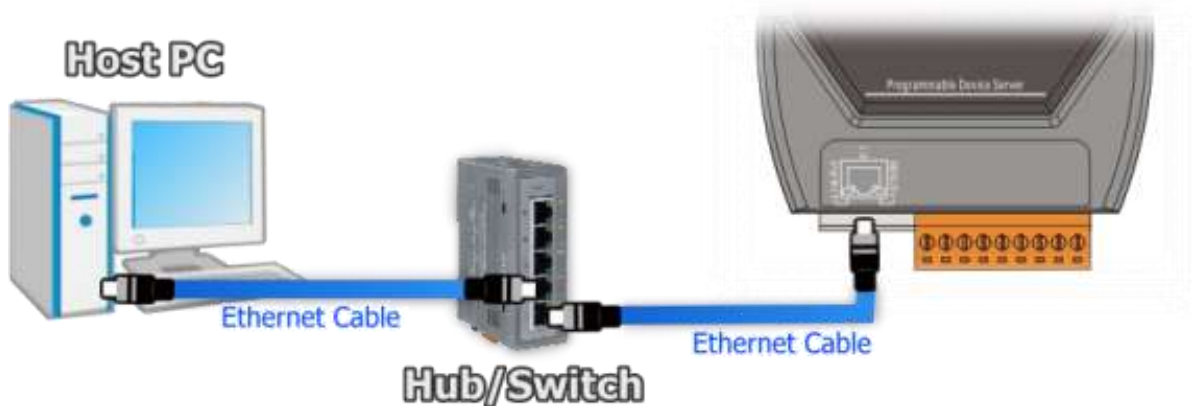
PDS-700>IP
IP=192.168.255.1
PDS-700>Mask
MASK=255.255.0.0
PDS-700>Gateway
Gateway=192.168.0.1
PDS-700>
[End file 288]
[End of Key Thread.]
C:\Users\RD1-Tammy\Desktop\DS_PDS-700\OS_image\7186EX_UDP_HR_20150126>pause
請按任意鍵繼續 . . .
```

**Step 7: Disconnect the INIT\* and GND pins on DS-700 module.**

**Step 8: Switch off the Power to the DS-700 module and then switch it back on again to rebbot the module to "Normal" operation.**



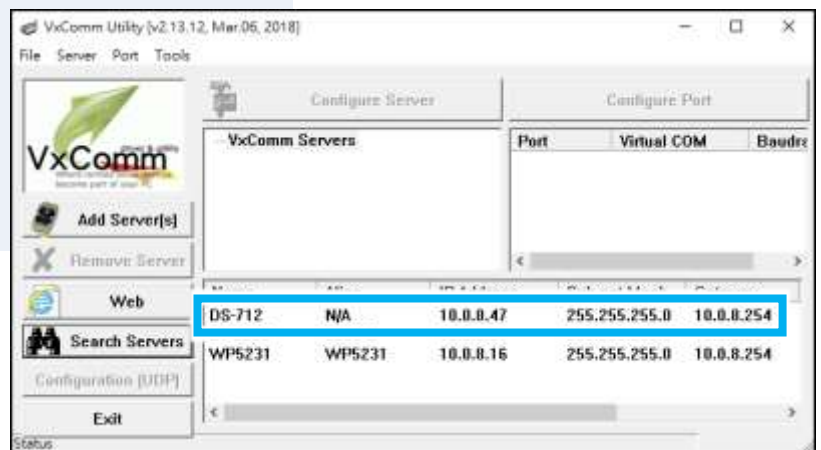
**Step 9: Connect both the DS-700 module and your computer to the same sub network or the same Ethernet Switch.**



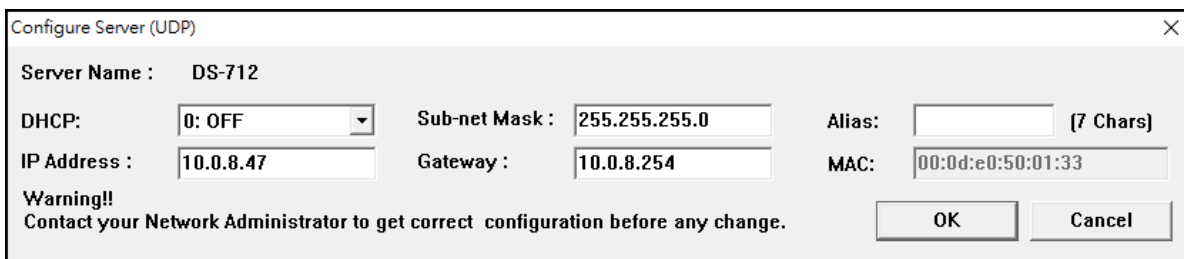
**Step 10: Install the VxComm Utility on your Host PC, and then run the Utility to search for any DS-700 module connected to the network.**



[Download the VxComm Utility.](#)



**Step 11: Configure the correct network settings for the required DS-700 module.**



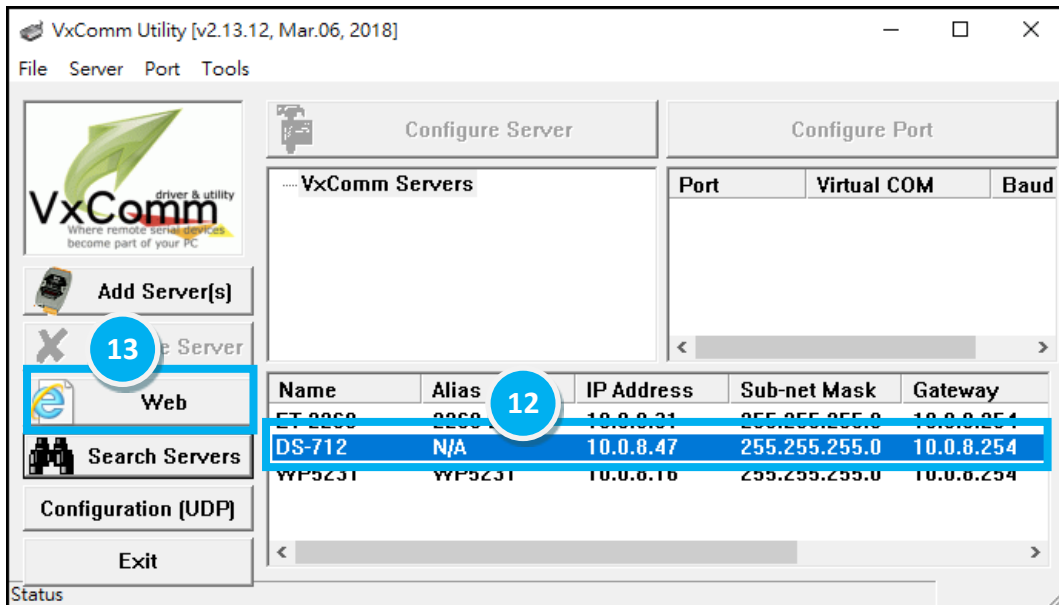
Please refer to “Chapter 3-Configuring Network Settings” in the DS-700 Quick Start Guide. If the IP address settings do not work correctly, please refer to **note2 (Page 8)**.



[Download the Quick Start Guide.](#)

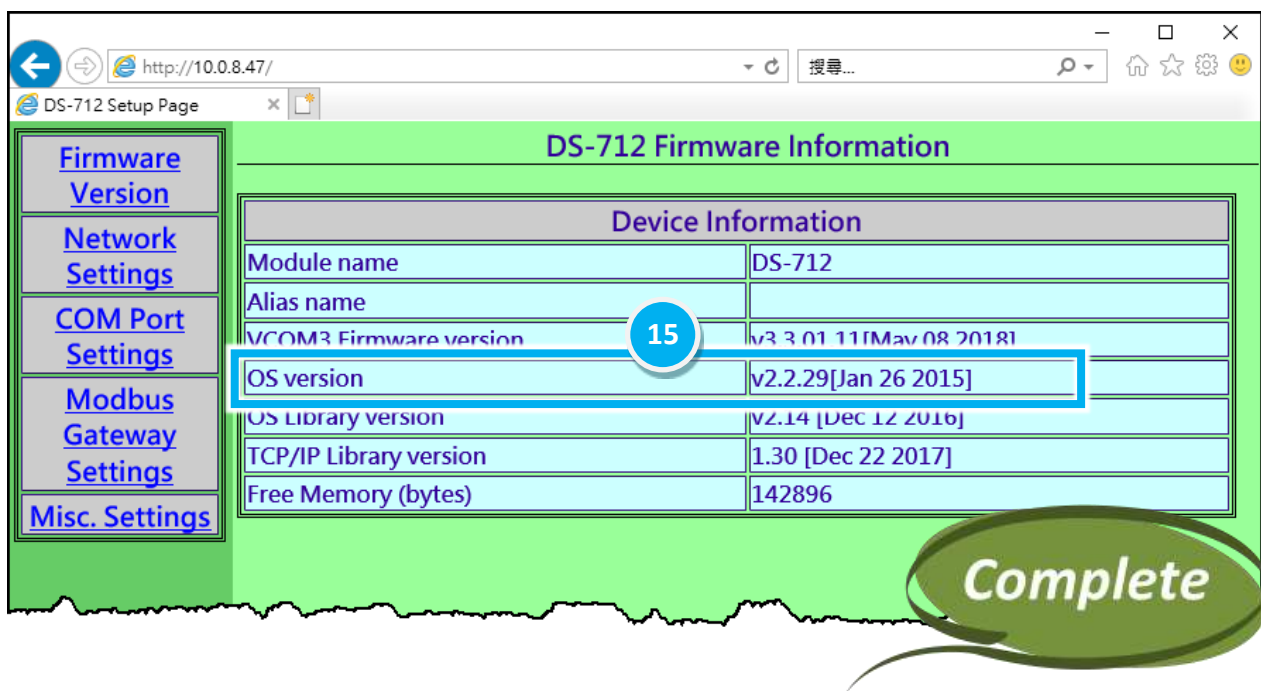
Step 12: Click the name of the DS-700 module.

Step 13: Click the “Web” button.



Step 14: Log in to the web configuration pages for the DS-700.


Step 15: Verify that the MiniOS7 version and date details are correct.







## 3. Additional Information

### Notes:

 **Note 1:** Make sure the 7188XW.exe and UpdateOS.bat program files exist on the same folder. If not, update firmware can't be successful. .... [back](#)

 **Note 2:** If the IP address settings do not work correctly (e.g. there is no response to a ping command), please contact your network administrator to obtain a valid IP address for the DS-700 module. .... [back](#)

 **Note 3:** 7-Zip—Free Archiving (Compress and Decompress) Utility  
7-Zip is a free archiving utility, you can get it from the following web:  
<http://www.7-zip.org/>