



PDS-782-25/D6 PDS-782D-25/D6

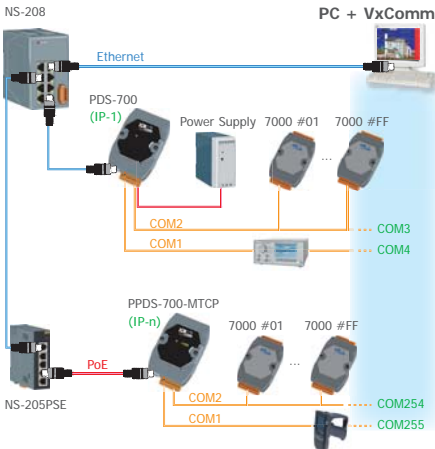
Programmable Device Server with 7 RS-232 ports and 1 RS-485 port

Introduction

The PDS-700 series is a family of Programmable Device Servers, also known as "Serial-to-Ethernet gateway", that are designed for linking RS-232/422/485 devices to an Ethernet network. The user-friendly VxComm Driver/Utility allows users to easily turn the built-in COM ports of the PDS-700 series into standard COM ports on a PC. By virtue of its protocol independence, a small-core OS and high flexibility, the PDS-700 series is able to meet the demands of every network-enabled application.

The PDS-700 series includes a powerful and reliable Xserver programming structure that allows you to design your robust Ethernet applications in one day. The built-in, high-performance MiniOS7 boots the PDS-700 up in just one second and gives you fastest responses.

PDS-782(D)-25/D6 is equipped with 7 RS-232 ports and 1 RS-485 port. The CA-9-2505D cable converts the DB-25 connector of PDS-782(D)-25/D6 to 6 Male DB-9 connectors for easy wiring with serial devices that have female DB-9 connectors.



Applications

Factory, Building and Home Automation

RS-232/RS-485

Features

- Incorporate Serial Devices in an Ethernet network
- Virtual COM on Windows NT 4.0, 2000/XP/2003 and Vista32
- Powerful Programmable Device Server
- Watchdog Timer suitable for use in harsh environments
- Power Reverse Polarity Protection
- Serial Port +/-4 kV ESD Protection Circuit
- Self-Tuner ASIC Controller on the RS-485 Port
- 5-digit LED Display (for versions with a display)
- RoHS Compliant with no Halogen
- Built-in High Performance MiniOS7 from ICP DAS
- 10/100 Base-TX Ethernet, RJ-45 Port (Auto-negotiating, auto MDI/MDI-X, LED Indicator)
- ODM Service Is Available
- Low power consumption
- Palm-Sized with multiple Serial Ports
- Made from fire retardant materials (UL94-V0 Level)
- Male DB-9 Connector

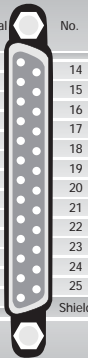


System Specifications

Models	PDS-782-25/D6	PDS-782D-25/D6
CPU		
CPU	80186, 80 MHz or compatible	
SRAM	512 KB	
Flash Memory	Flash ROM: 512 KB; Erase unit is one sector (64 KB); 100,000 erase/write cycles	
EEPROM	16 KB; Data retention: 40 years; 1,000,000 erase/write cycles	
Built-in Watchdog Timer	Yes	
Communication Interface		
Non-isolated	COM1	RS-232 (Tx,D, Rx,D, RTS, CTS, GND)
	COM2	RS-485 (D2+, D2-, GND)
	COM3	RS-232 (Tx,D, Rx,D, GND)
	COM4	RS-232 (Tx,D, Rx,D, GND)
	COM5	RS-232 (Tx,D, Rx,D, GND)
	COM6	RS-232 (Tx,D, Rx,D, GND)
	COM7	RS-232 (Tx,D, Rx,D, GND)
	COM8	RS-232 (Tx,D, Rx,D, GND)
Ethernet	10/100 Base-TX, RJ-45 Port (Auto-negotiating, auto MDI/MDI-X, LED indicator)	
COM Port Formats		
Data Bit	7, 8: for COM1 and COM2 5, 6, 7, 8: for COM3 – COM8	
Parity	None, Even, Odd, Mark, Space	
Stop Bit	1: for COM1, COM2 1, 2: for COM3 – COM8	
Baud Rate	115200 bps max.	
LED Indicators		
5-digit 7 Segment	-	Yes
System	Red	
Power		
Protection	Power Reverse Polarity Protection	
Required Supply Voltage	+12 Vdc ~ +48 Vdc (non-regulated)	
Power Consumption	2.0 W	2.7 W
Mechanical		
Flammability	Fire Retardant Materials (UL94-V0 Level)	
Dimensions (W x H x D)	72 mm x 116 mm x 35 mm	
Installation	DIN-Rail or Wall mounting	
Environment		
Operating Temperature	-25 °C ~ +75 °C	
Storage Temperature	-40 °C ~ +80 °C	
Humidity	5 ~ 90% RH, non-condensing	

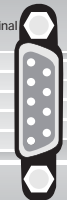
Pin Assignments

Pin Assignment	Terminal	No.	Pin Assignment
N/A	01	14	COM8_RxD
N/A	02	15	COM8_TxD
COM8_GND	03	16	COM7_RxD
N/A	04	17	COM7_TxD
COM7_GND	05	18	COM6_RxD
N/A	06	19	COM6_TxD
COM6_GND	07	20	COM5_RxD
N/A	08	21	COM5_TxD
COM5_GND	09	22	COM4_RxD
N/A	10	23	COM4_TxD
COM4_GND	11	24	COM3_RxD
N/A	12	25	COM3_TxD
COM3_GND	13	Shield	F.G.



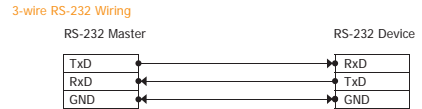
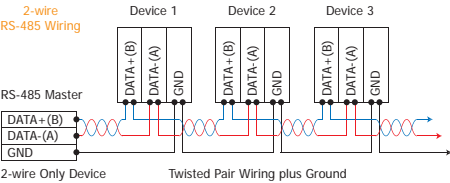
25-Pin Male D-Sub Connector

Pin Assignment	Terminal	No.	Pin Assignment
GND	05	09	--
--	04	08	--
TxD	03	07	--
RxD	02	06	--
--	01		

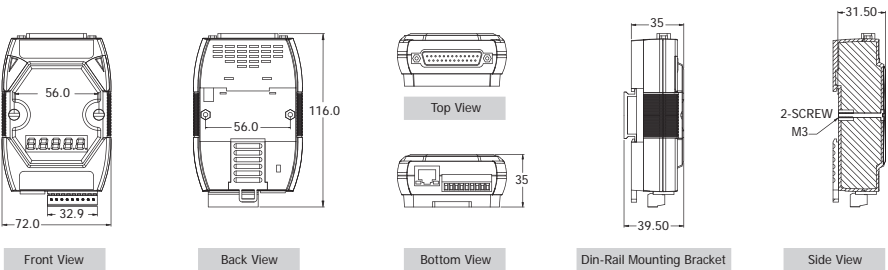


RS-232 Female DB-25 to Male DB-9 Connector

Wiring



Dimensions (Unit: mm)



Ordering Information

PDS-782-25/D6 CR	Programmable Device Server with 7 RS-232 ports and 1 RS-485 port (RoHS) Includes One CA-0910 Cable and One CA-9-2505D Cable
PDS-782D-25/D6 CR	Programmable Device Server with 7 RS-232 ports, 1 RS-485 port and an LED Display (RoHS) Includes One CA-0910 Cable and One CA-9-2505D Cable

Accessories

GPSU06U-6	24 V _{DC} /0.25 A, 6 W Power Supply
MDR-20-24	24 V _{DC} /1 A, 24 W Power Supply with DIN-Rail Mounting
CA-0903	9-Pin Female D-Sub and RS-232 Connector Cable, 30 cm Cable
CA-0910	9-Pin Female D-Sub and 3-wire RS-232 Cable, 1 m Cable
CA-9-2505D	DB-25 Male (D-Sub) to 6-port DB-9 Male (D-Sub) Cable
NS-205 CR	Unmanaged 5-port Industrial Ethernet Switch (RoHS)
DN-09-2	I/O Connector Block with DIN-Rail Mounting and Two 9-Pin Male Header Includes CA-0915 x 2 (9-Pin Male-Female D-Sub Cable 1.5 m)
DN-09-2F	I/O Connector Block with DIN-Rail Mounting and Two 9-Pin Male Header Includes CA-0910F x 2 (9-Pin Female-Female D-Sub Cable 1.0 m)