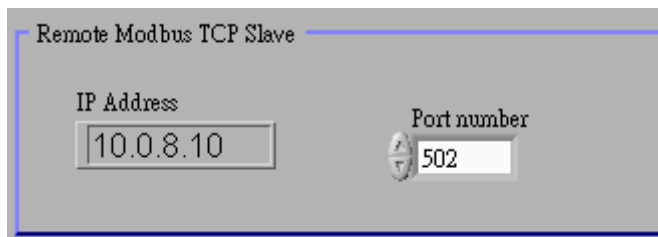
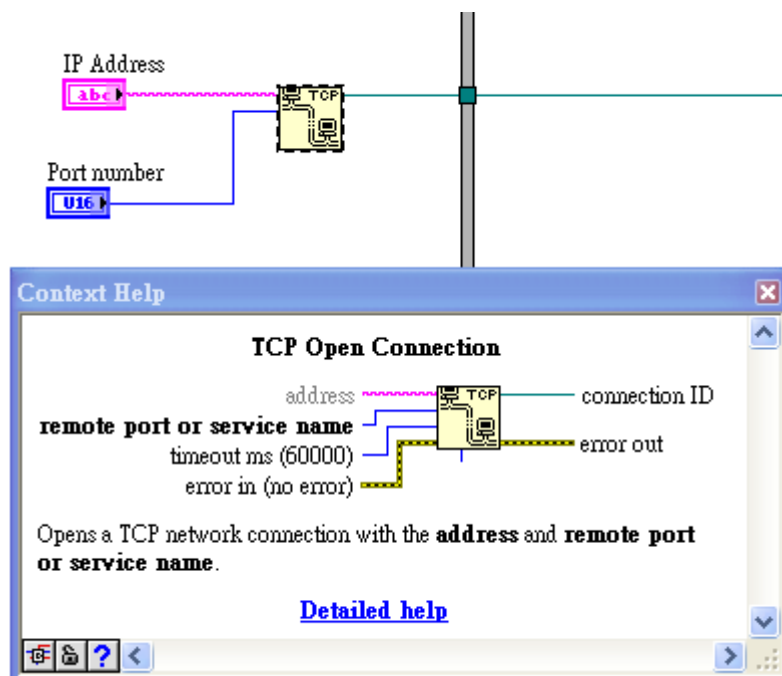


## How to communicate with Modbus TCP slave device in LabVIEW?

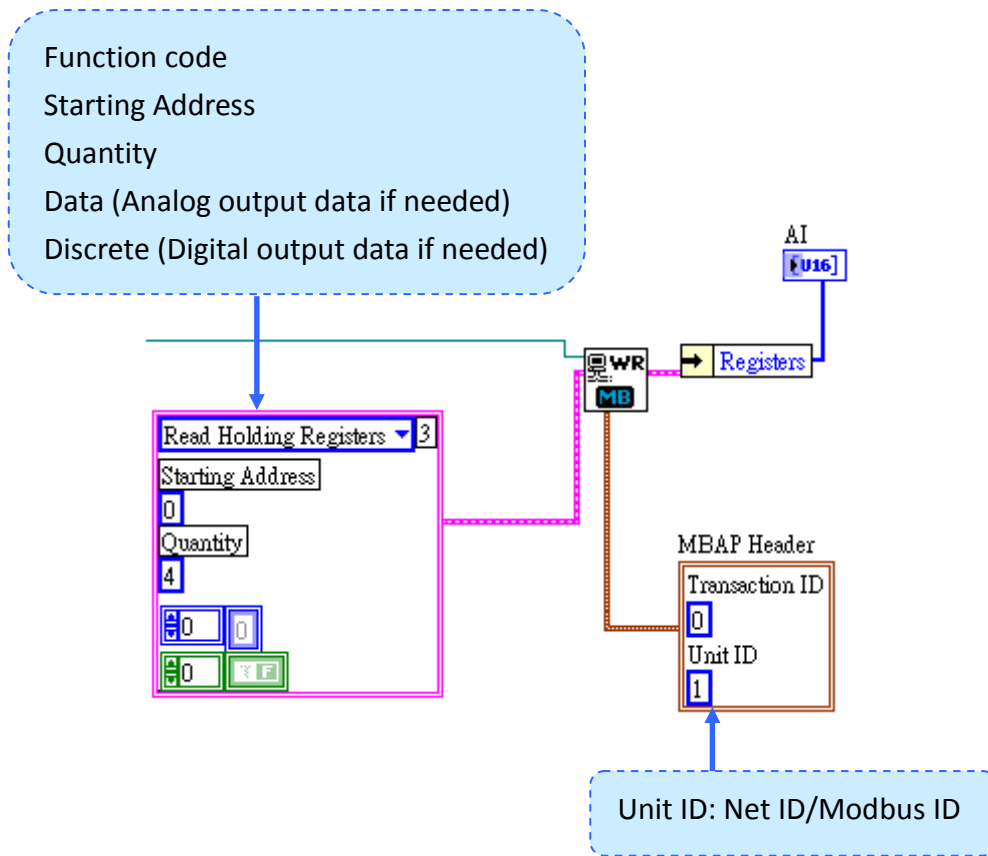
1. Make sure the IP address and port number settings on the Modbus TCP slave device for Modbus TCP connection.
2. Unzip the ModbusTCP.zip, open a suitable demo for the I/O type on the module, input and IP address and Port number settings on the slave device and then run the demo.  
The modbus ID is 1 in the demo.  
(The NI Modbus.Ilb is free download on the NI web site.)



3. On the Block Diagram, the first vi is TCP Open Connection.vi used to create the TCP connection.



4. Read/Write data with MB Ethernet Master Query.vi.



5. Close the connection at the end of the program.

