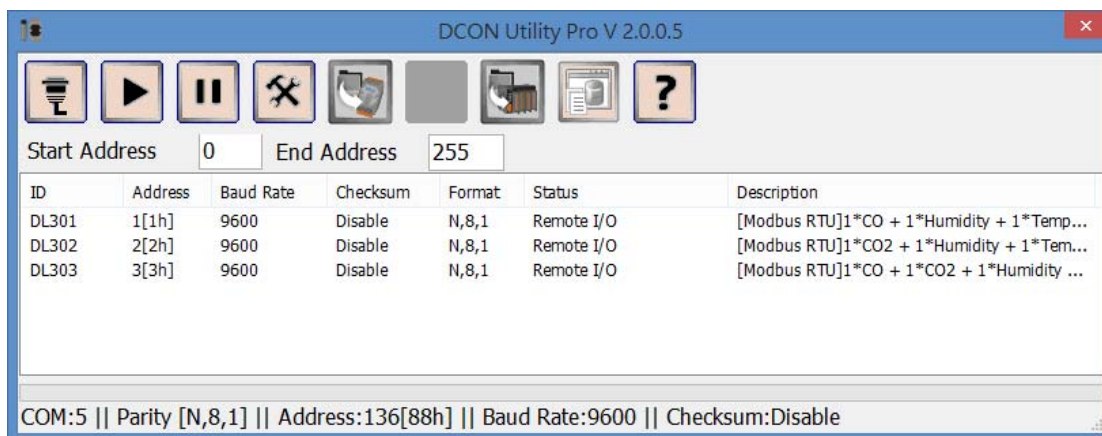


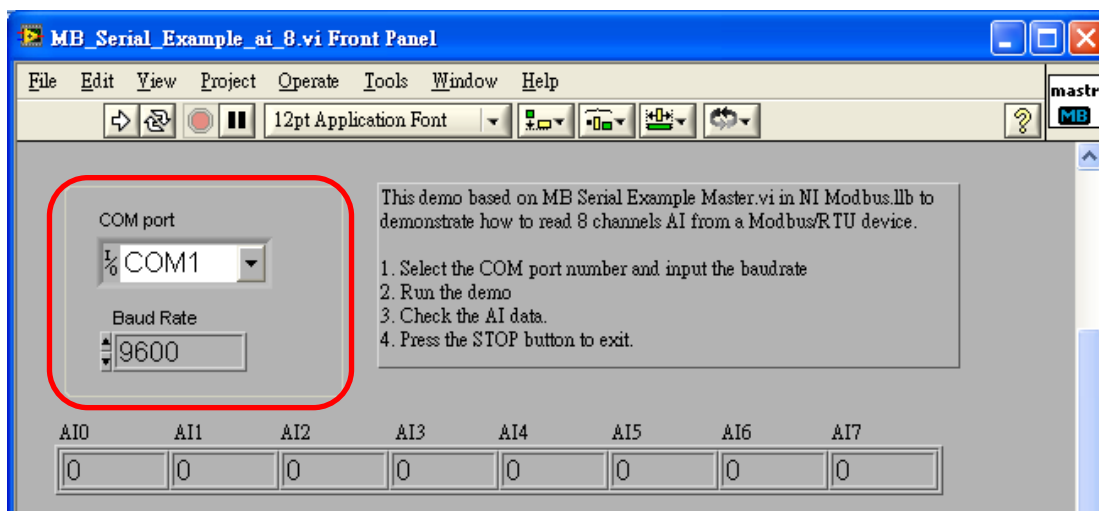
How to communicate with Modbus RTU slave device in LabVIEW?

1. Make sure the Modbus ID and Baudrate used in the Modbus RTU slave device. If there are multiple Modbus slave devices on the RS-485 network, each of them needs to be assigned with a unique Modbus ID.

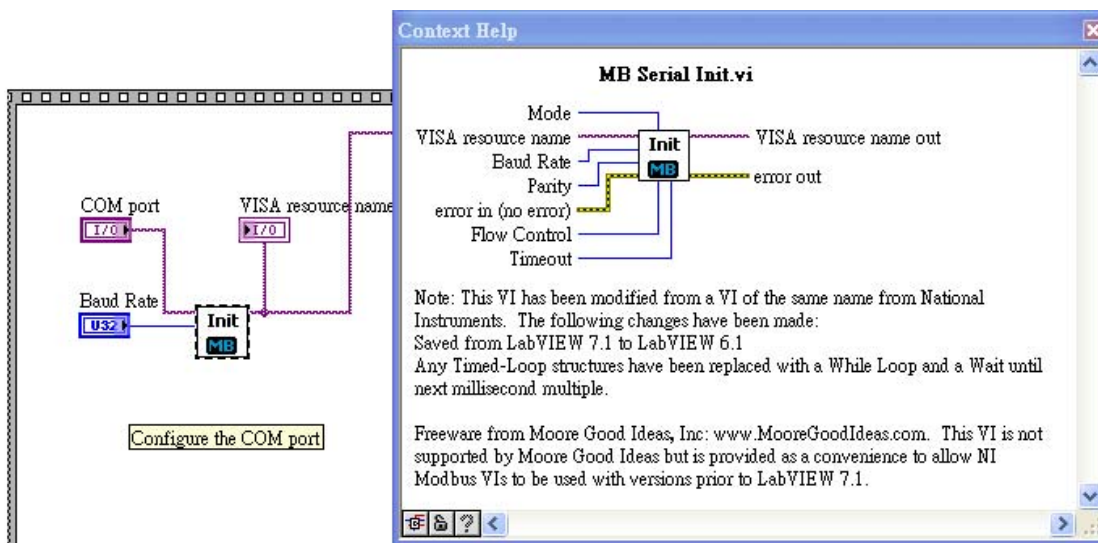
For ICP DAS Modbus RTU slave devices, the DCON Utility Pro is free download at http://ftp.icpdas.com/pub/cd/8000cd/napdos/driver/dcon_utility/ to search modules out and configure the searched devices.



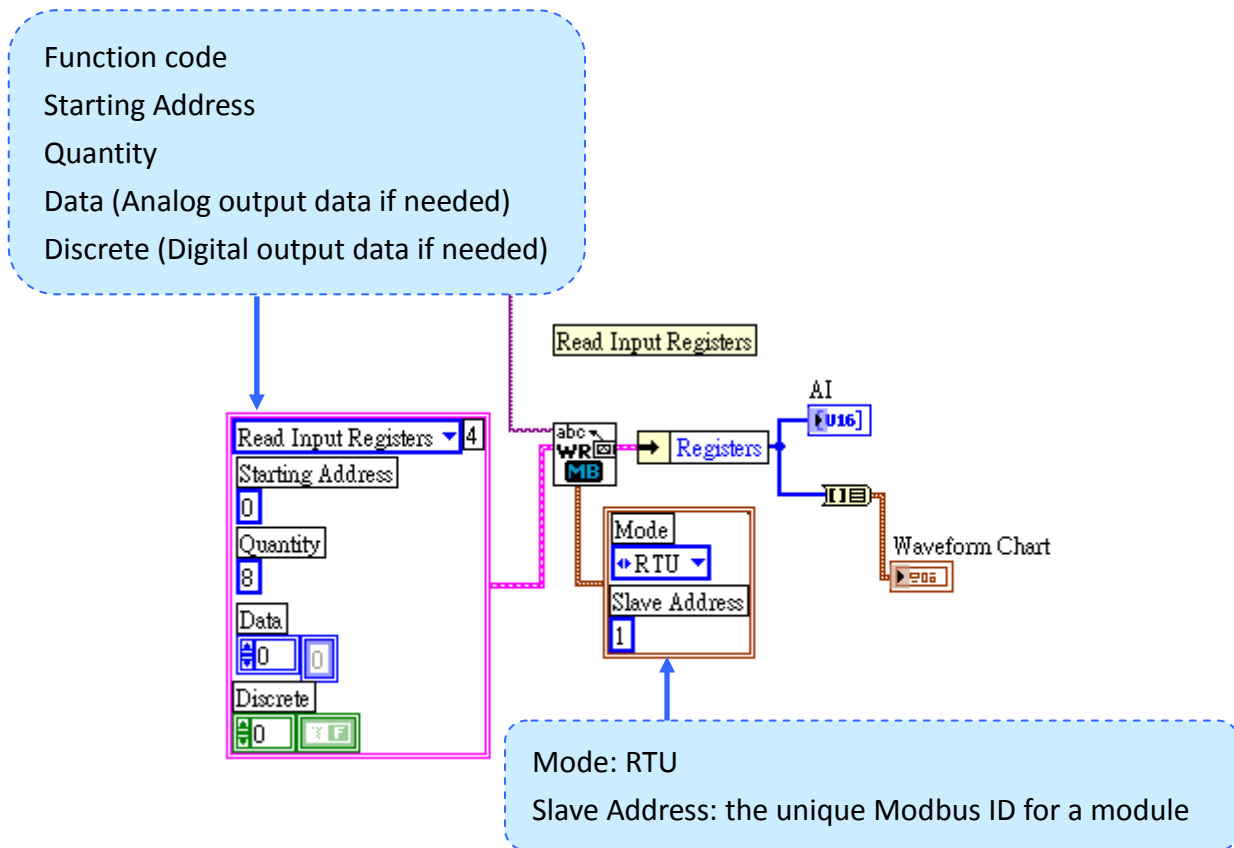
2. Unzip the ModbusRTU.zip, open a suitable demo for the I/O type on the module, the COM port and Baud Rate settings on the front panel need to be the same as what the module used in the DCON_Utility_pro. The modbus ID is 1 in the demo.
(The NI Modbus.lib is free download on the NI web site.)



3. On the Block Diagram, the first vi is MB Serial Init used to configure the COM port connection parameters such as COM port, Baud Rate, Parity and Timeout.



4. Read/Write data with MB Serial Master Query.vi.



5. Close the connection at the end of the program.

