



### Features

- 16-channel AC Digital Input
- Photo Couple Isolation
- Channel Status LED Indicators
- All Digital Channels Input can be used as Counters
- ±4 kV ESD Protection
- RoHS Compliant
- Wide Operating Temperature Range: -25 ~ +75°C



### Introduction

I-87053W-AC1 offers 16 channels for AC digital input. All of its channels are not only with isolation but also able to be used as counters. I-87053W-AC1 has 16 LED indicators for channel status as well as qualification for 4 kV ESD protection and 3750 Vrms intra-module isolation.

### Applications

- Industry automation
- Industrial Machinery
- Building Automation
- Food & Beverage
- Semiconductor Fabrication
- Control system

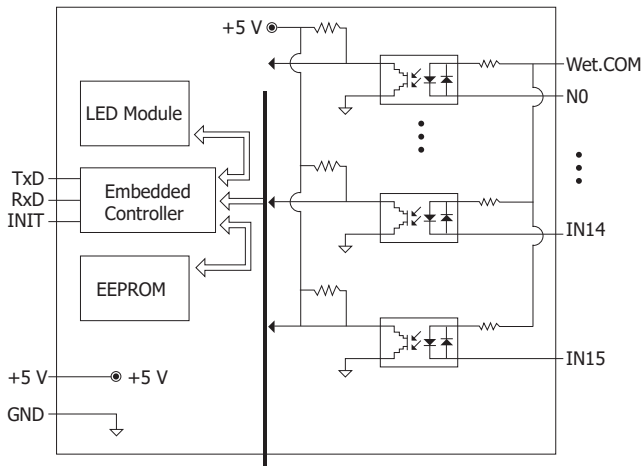
### System Specifications

Communication	
Interface	RS-485
Format	N, 8, 1
Baud Rate	1200 to 115200 bps
Protocol	DCON
Dual Watchdog	Yes, Module (1.6 Seconds), Communication (Programmable)
LED Indicators	
Power LED Indicator	Yes
I/O LED Indicator	16 LEDs as Digital Input Indicators
Isolation	
Intra-module Isolation, Field-to-Logic	3750 Vrms
EMS Protection	
ESD (IEC 61000-4-2)	±4 kV Contact for Each Terminal
Power	
Power Consumption	1.5 W Max.
Mechanical	
Dimensions (L × W × H)	102 mm × 30 mm × 115 mm
Environment	
Operating Temperature	-25 to +75°C
Storage Temperature	-30 to +80°C
Humidity	10 to 90% RH, Non-condensing

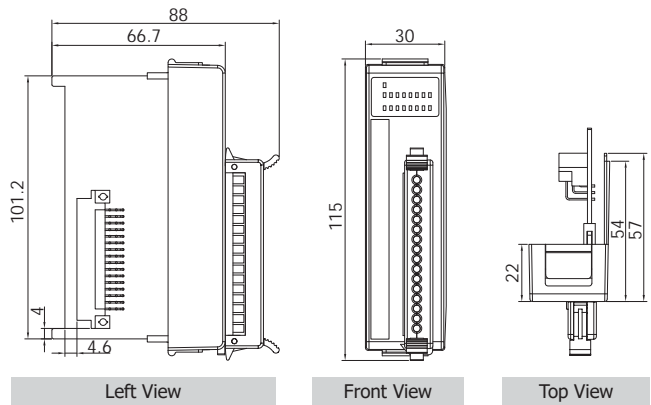
### I/O Specifications

Digital Input		
Channels	16	
Type	Wet contact	
ON Voltage Level	10 ~ 80 VAC	
OFF Voltage Level	3 VAC Max.	
AC Frequency	47 ~ 400 Hz (> 45 Hz min)	
Input Impedance	10 kΩ, 0.66 W	
Counters	Channels	16
	Max. Counts	16-bit (65535)
	Max. Input Frequency	100 Hz
	Min. Pulse Width	5 ms

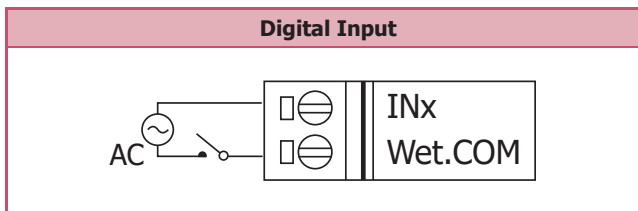
### Internal I/O Structure



### Dimensions (Units: mm)



### Wire Connections



### Pin Assignments

Terminal No.	Pin Assignment
01	IN0
02	IN1
03	IN2
04	IN3
05	IN4
06	IN5
07	IN6
08	IN7
09	IN8
10	IN9
11	IN10
12	IN11
13	IN12
14	IN13
15	IN14
16	IN15
17	Wet.COM
18	Wet.COM
19	N.C.
20	N.C.

### Ordering Information

<b>I-87053W-AC1-G CR</b>	16-channel AC Isolated Digital Input Module with 16-bit Counters (Gray Cover) (RoHS)
--------------------------	--