



I-87K4/I-87K5/I-87K8/I-87K9

I/O Expansion Unit

Features

- RS-485 Port for Multi-Drop Topology
- DCON Protocol
- 4/5/8/9 I/O Slots for I-87K Modules
- Operating Temperature: -25 to +75 °C



Introduction

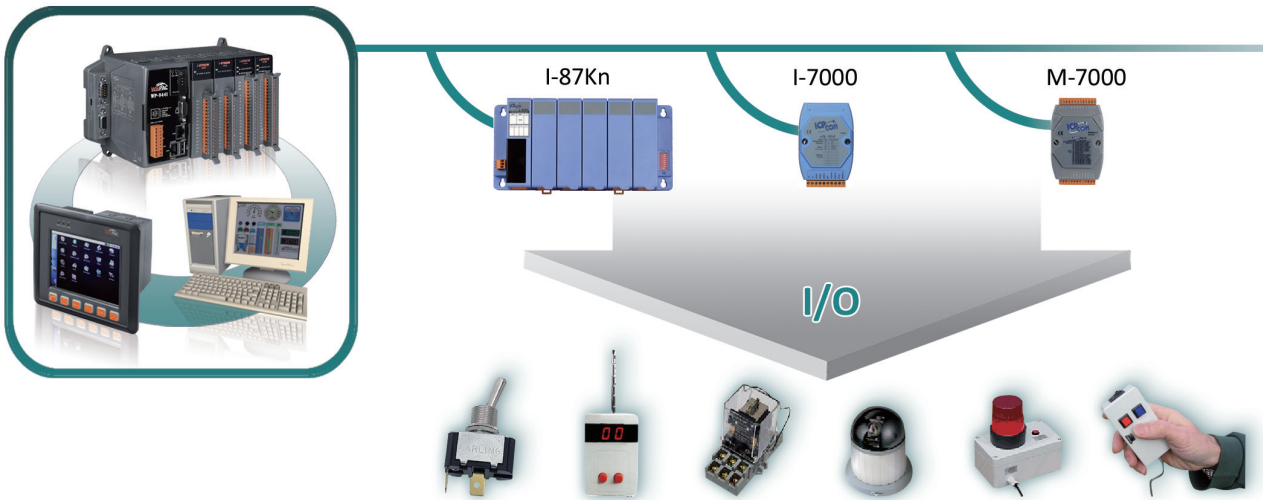
I-87Kn is an unit to expand I/O via the RS-485. It is designed to be used in harsh and noisy environment, so the hardware is manufactured with wide power input range (10 ~ 30 VDC), isolated power input and can operate under wide temperature (-25 ~ +75°C). To simplify installation and maintenance of I/O modules.

There are more than 30 I/O modules supported with the unit, including analog input/output, digital input/output, counter, frequency I/O modules. We provide various software development kits (SDK) and demos, such as DLL, ActiveX, Labview driver, InduSoft driver, Linux driver, OPC server. The I-87K series I/O modules plugged in the I-87Kn can be easily integrated into variant software system.

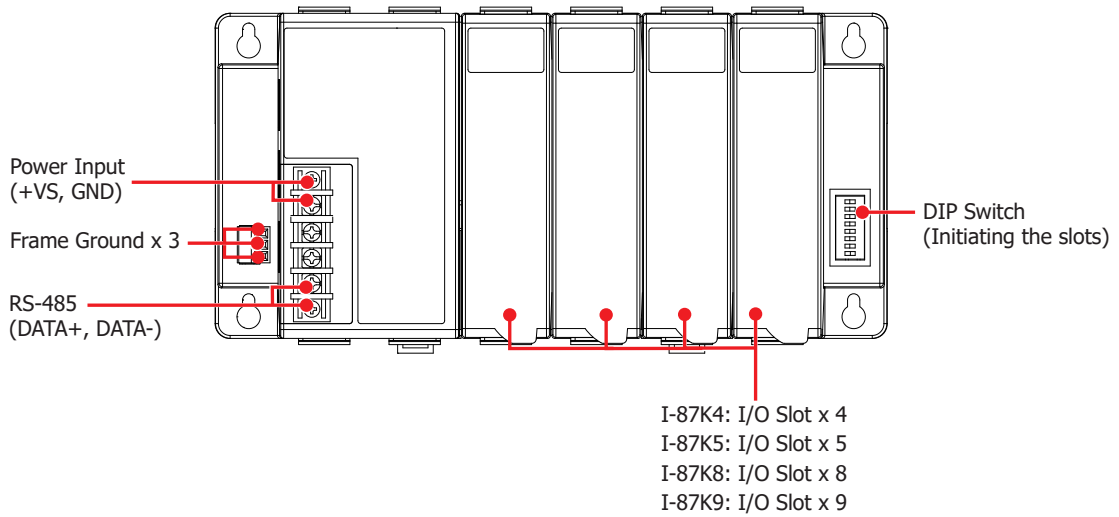
Specifications

Models	I-87K4	I-87K5	I-87K8	I-87K9
Interface Type (RS-485)				
Baud Rate	115200 bps Max.			
Distance	1.2 km (4000 ft) Max.			
Isolation	3000 VDC			
ESD Protection	+/- 4 K Contact Discharge and +/- 8 K Air Discharge			
Communication Protocol	DCON Protocol (ASCII format)			
LED Display/Indicators				
Power	Yes			
I/O Expansion Slots				
Support Module Type	Low profile I-87K module only			
Slots Numbers	4	5	8	9
Mechanical				
Dimensions (W x H x D, unit: mm)	230 x 75 x 111	230 x 75 x 111	354 x 75 x 111	354 x 75 x 111
Installation	DIN-Rail or Wall Mounting			
Environmental				
Operating Temperature	-25 to +75 °C			
Storage Temperature	-30 to +80 °C			
Ambient Relative Humidity	10 to 90 % RH (non-condensing)			
Power				
Input Range	+10 to +30 VDC			
Reverse Polarity Protection	Yes			
Frame Ground	Yes			
Consumption	2 W			
Power Board Driving	20 W			

Applications

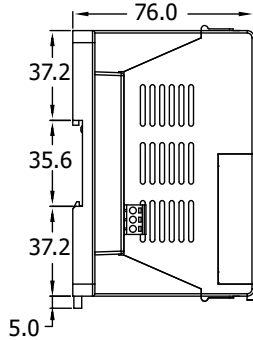


Apparances



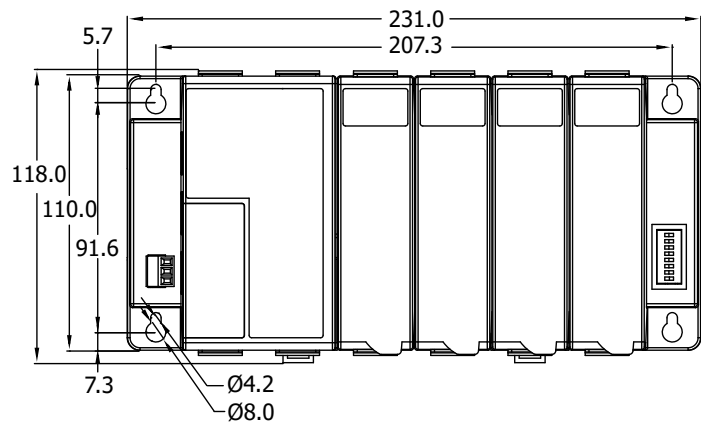
Dimensions (Units: mm)

I-87K4/I-87K5/I-87K8/I-87K9



Left Side View

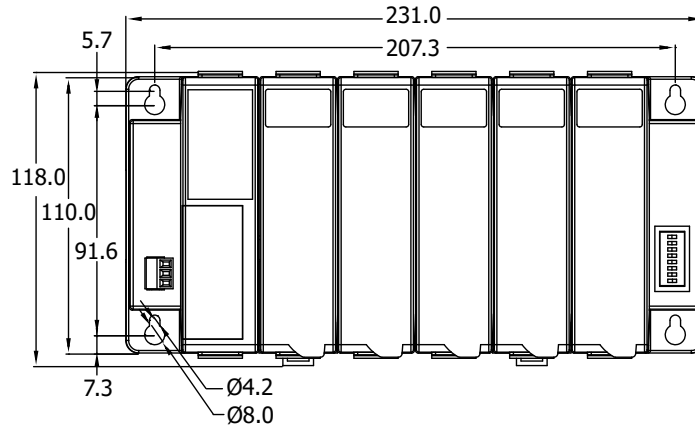
I-87K4



Front View

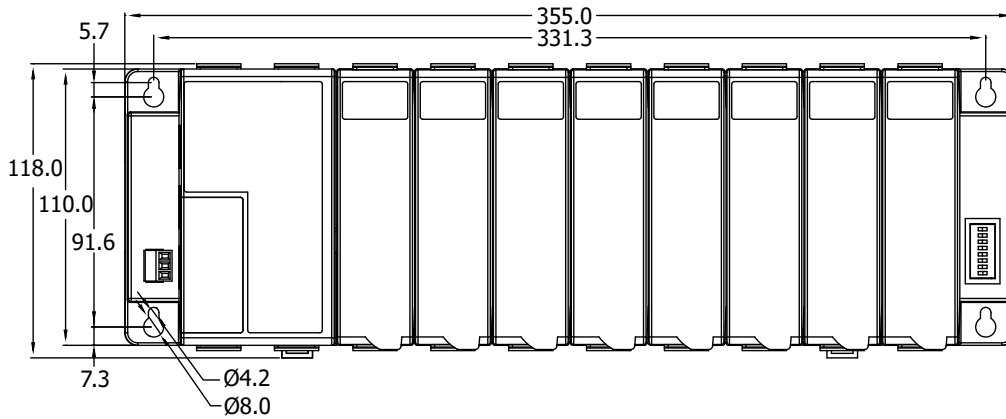
■ Dimensions (Units: mm)

I-87K5



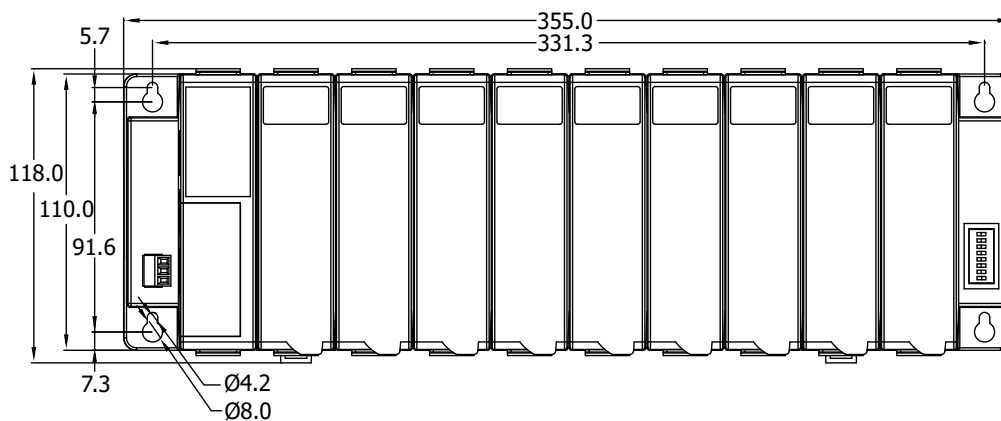
Front View

I-87K8



Front View

I-87K9



Front View

■ Ordering Information

I-87K4	4 slots I/O Expansion Unit
I-87K5	5 slots I/O Expansion Unit
I-87K8	8 slots I/O Expansion Unit
I-87K9	9 slots I/O Expansion Unit

I-87K4-G	4 slots I/O Expansion Unit with Gray Color
I-87K5-G	5 slots I/O Expansion Unit with Gray Color
I-87K8-G	8 slots I/O Expansion Unit with Gray Color
I-87K9-G	9 slots I/O Expansion Unit with Gray Color