



I-7188E8/I-7188E8D

Internet Communication Controller

Features

- Incorporates any RS-232/485 serial device in Ethernet
- Data transmission via Virtual COM or raw TCP connection
- VxComm Driver for 32-bit and 64-bit Windows XP/2003/2008/Vista/7/8/10
- Built-in High Performance MiniOS7 from ICP DAS
- Watchdog Timer suitable for use in harsh environments
- Palm-Sized with multiple Serial Ports
- Power Reverse Polarity Protection



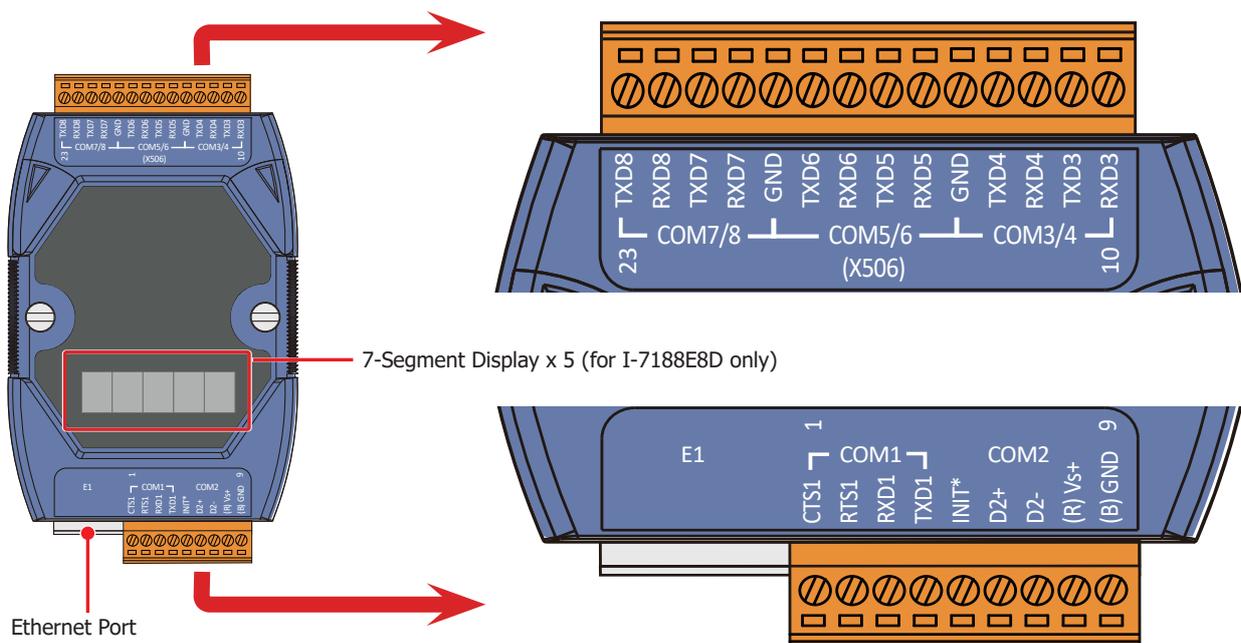
Introduction

The I-7188EN series is a family of Programmable Device Servers, also known as "Serial-to-Ethernet gateway", that are designed for linking RS-232/422/485 devices to an Ethernet network. The user-friendly VxComm Driver/Utility allows users to easily turn the built-in COM ports of the I-7188EN series into standard COM ports on a computer. By virtue of its protocol independence, a small-core OS and high flexibility, the I-7188EN series is able to meet the demands of every network-enabled application.

The I-7188EN series includes a powerful and reliable Xserver programming structure that allows you to design your robust Ethernet applications in one day. The built-in, high-performance MiniOS7 boots the I-7188EN up in just one second and gives you fastest responses.

The I-7188E8(D) is equipped with 7 RS-232 ports and 1 RS-485 port. The removable on-board terminal block connector is designed for easy and robust wiring in industrial situations.

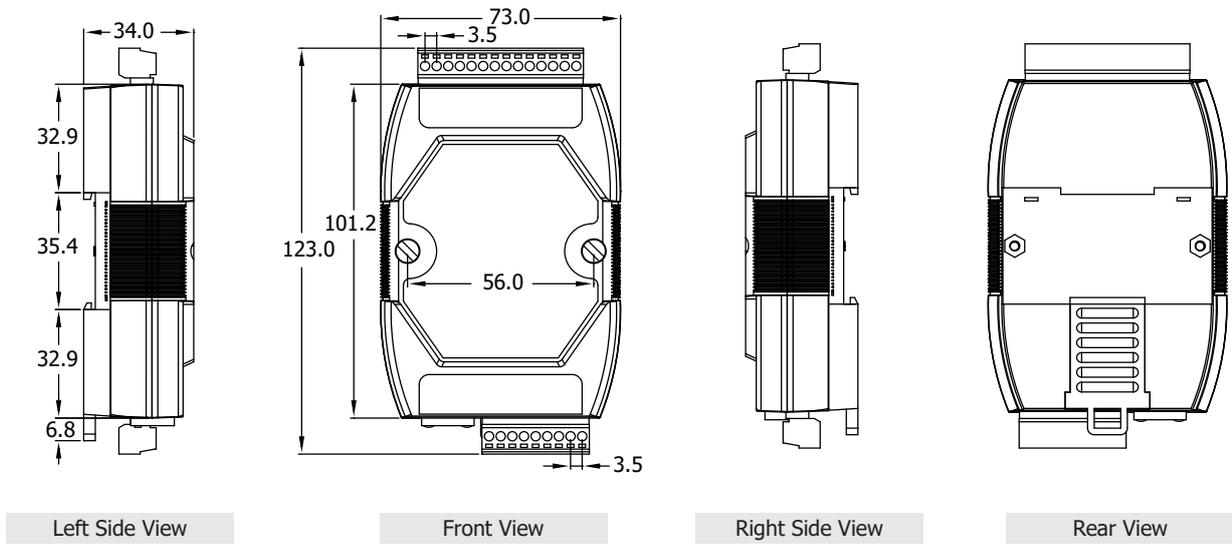
Appearances



Specifications

Models	I-7188E8	I-7188E8D
CPU Module		
CPU	80188, 40MHz or compatible	
SRAM	384 KB	
Flash	512 KB	
EEPROM	2 KB	
Watchdog Timer	0.8 second	
Communication Interface		
COM1	RS-232 (TXD, RXD, RTS, CTS, GND)	
COM2	RS-485 (D2+, D2-)	
COM3	RS-232 (TXD, RXD, GND)	
COM4	RS-232 (TXD, RXD, GND)	
COM5	RS-232 (TXD, RXD, GND)	
COM6	RS-232 (TXD, RXD, GND)	
COM7	RS-232 (TXD, RXD, GND)	
COM8	RS-232 (TXD, RXD, GND)	
Ethernet Port	10BASE-T NE2000 compatible Ethernet Controller	
COM Port Format		
Data Bit	7, 8	
Parity	Even, Odd, None	
Stop Bit	1	
Baud Rate	115200 bps Max.	
LED Indicator		
7-Segment Display	-	Yes
System LED Indicator	Yes	
Mechanical		
Dimensions (W x L x H)	123 mm x 72 mm x 33 mm	
Operating Environment		
Operating Temperature	-25 °C to +75 °C	
Storage Temperature	-40 °C to +80 °C	
Humidity	5 to 95 %,non-condensing	
Power		
Protection	Power reverse polarity protection	
Power requirement	10 to 30 VDC	
Power consumption	2 W	3 W

■ Dimensions (Units: mm)



■ Ordering Information

I-7188E8	Internet communication controller with 7 RS-232, 1 RS-485 and 1 Ethernet
I-7188E8D	I-7188E8 with 5 Digital 7-Segment Display