



**ET-7217-A5      PET-7217-A5**

Ethernet I/O Module with 8-channel AI, 4-channel DO

**Features**

- Built-in Web Server
- Web HMI
- Support for both Modbus TCP and Modbus UDP Protocols
- Communication Security
- 2-port Ethernet Switch for Daisy-Chain Topology
- Dual Watchdog
- Wide Operating Temperature Range: -25 to +75°C
- I/O Pair Connection
- Built-in I/O
  - AI: 8 Channels High Voltage Input
  - The Analog Input range can be from ±50 V or ±150 V
  - Individual Channel Configurable
  - DO: 4 Channels



**Introduction**

The ET-7217-A5/PET-7217-A5 is a module with 8-channel differential analog inputs and 4-channel digital outputs. It provides programmable input range on all analog channels ±50 V or ±150 V and digital output can be set alarm output with Short-circuit protection and overload protection. Each analog channel is allowed to configure an individual range and has ±200 VDC high overvoltage protection. The sampling rate of is changeable; there are fast mode and normal mode for your consideration. It also has qualification for 4 kV ESD protection as well as 2500 VDC intra-module isolation.

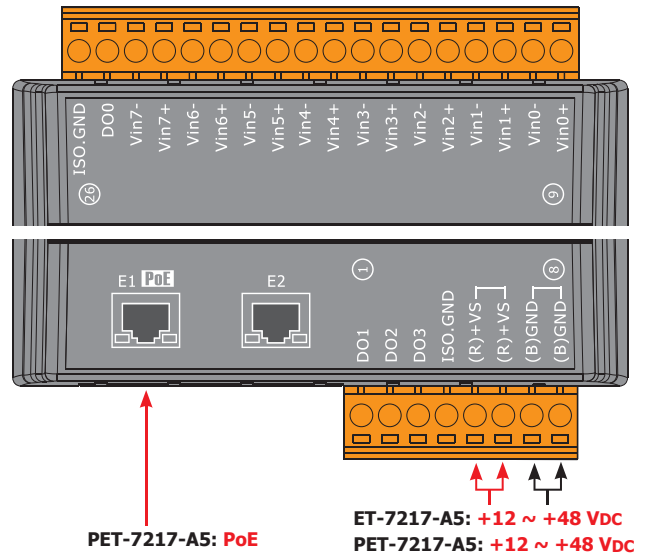
**System Specifications**

Model	ET-7217-A5	PET-7217-A5
<b>Software</b>		
Built-in Web Server		Yes
Web HMI		Yes
I/O Pair Connection		Yes
<b>Communication</b>		
Ethernet Port	2 x RJ-45, 10/100 Base-TX, Switch Ports	
PoE	-	Yes
Protocol	Modbus TCP, Modbus UDP	
Security	ID, Password and IP Filter	
Dual Watchdog	Yes, Module (0.8 seconds), Communication (Programmable)	
<b>LED Indicators</b>		
for System Running		Yes
for Ethernet Link/Act		Yes
for DI/DO status		Yes
for PoE Power	-	Yes
<b>2-Way Isolation</b>		
Ethernet	1500 Vdc	-
I/O	2500 Vdc	
<b>EMS Protection</b>		
ESD (IEC 61000-4-2)	±4 kV Contact for Each Terminal and ±8 kV Air for Random Point	
EFT (IEC 61000-4-4)	±2 kV for Power Line	
Surge (IEC 61000-4-5)	±2 kV for Power Line	
<b>Power</b>		
Reverse Polarity Protection		Yes
Powered from Terminal Block	12 ~ 48 Vdc	12 ~ 48 Vdc
Powered from PoE	-	Yes, IEEE 802.3af, Class1
Consumption	4.2 W (Max.)	4.4 W (Max.)
<b>Mechanical</b>		
Dimensions (L x W x H)	120 mm x 76 mm x 38 mm	
Installation	DIN-Rail or Wall Mounting	
<b>Environment</b>		
Operating Temperature	-25 to +75°C	
Storage Temperature	-30 to +80°C	
Humidity	10 to 90% RH, Non-condensing	

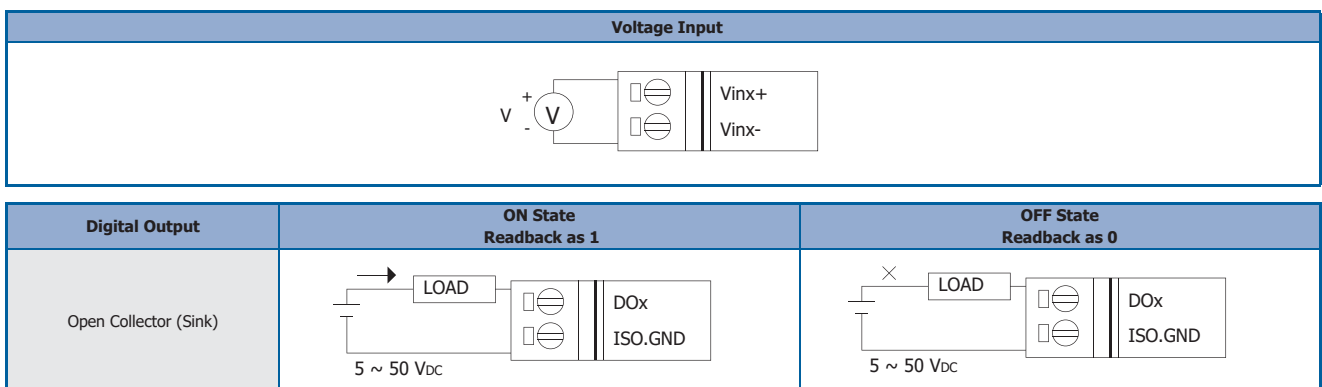
### I/O Specifications

Analog Input		
Channels	8 (Differential)	
Type	±50 V · ±150 V	
Individual Channel Configuration	Yes	
Resolution	16-bit	
Sampling Rate	Normal Mode	10 Hz
	Fast Mode	50 Hz
Accuracy	Normal Mode	+/-0.1%
	Fast Mode	+/-0.5% or better
Overvoltage Protection	±200 Vdc	
Common Voltage Protection	±200 Vdc	
Overcurrent Protection	-	
Virtual Channel to Channel Isolation	Yes, 400 Vdc	
Input Impedance	Voltage	290 kΩ
	Current	-
Digital Output		
Channels	4	
Type	Isolated Open Collector	
Sink/Source (NPN/PNP)	Sink	
Max. Load Current	700 mA/Channel	
Load Voltage	5 Vdc ~ 50 Vdc	
Overvoltage Protection	60 Vdc	
Overload Protection	1.4 A	
Short-circuit Protection	Yes	
Power-on Value	Yes, Programmable	
Safe Value	Yes, Programmable	

### Pin Assignments



### Wire Connections



### Ordering Information

<b>ET-7217-A5 CR</b>	Ethernet I/O Module with 2-port Ethernet Switch, with 8-channels AI, 4-channels DO (RoHS)
<b>PET-7217-A5 CR</b>	PoE Ethernet I/O Module with 2-port Ethernet Switch, with 8-channels AI, 4-channels DO (RoHS)