

## ET2 – 6064D

- 24 Relay DO (18 Form A and 6 Form C)
- 10/100 Mbps Ethernet
- Modbus protocol support
- Web browser configuration
- Transmission status LED display
- 3-way isolation protection



### I/O Specifications

#### Digital Output

Channels: 18  
 Output Type: Power Relay, Form A (Normal Open)  
 Operating Voltage Range: 5 ~ 240VAC (47~63Hz)  
 5 ~ 24VDC  
 Relay Contact Voltage Range: 0~ 250VAC (47~63Hz)  
 0~ 28VDC  
 Max. Load Current: 3.0 A/channel  
 Max. Operate Time: 15 ms max.  
 Max. Release Time: 3 ms max.  
 Insulation Resistance: Min. 1,000 MOhm, at 500 VDC  
 Surge Strength: 10,000 V (at 1.2\*50us)  
 Relay Life: Electrical : 100,000, 28VDC@5A min., Resistive  
 Mechanical :10 M operations@ no Load Condition

#### Digital Output

Channels: 6  
 Output Type: Power Relay, Form C (Normal Open and Close)  
 Operating Voltage Range: 5 ~ 240VAC (47~63Hz)  
 5 ~ 24VDC  
 Relay Contact Voltage Range: 0~ 250VAC (47~63Hz)  
 0~ 30VDC  
 Max. Load Current: 2.0 A/channel  
 Max. Operate Time: 5 ms max.  
 Max. Release Time: 5 ms max.  
 Insulation Resistance: Min. 1,000 MOhm, at 500 VDC  
 Surge Strength: 2,500 V (at 1.2\*50us)  
 Relay Life: Electrical : 100,000, 30VDC@5A min., Resistive  
 Mechanical :10 M operations@ no Load Condition



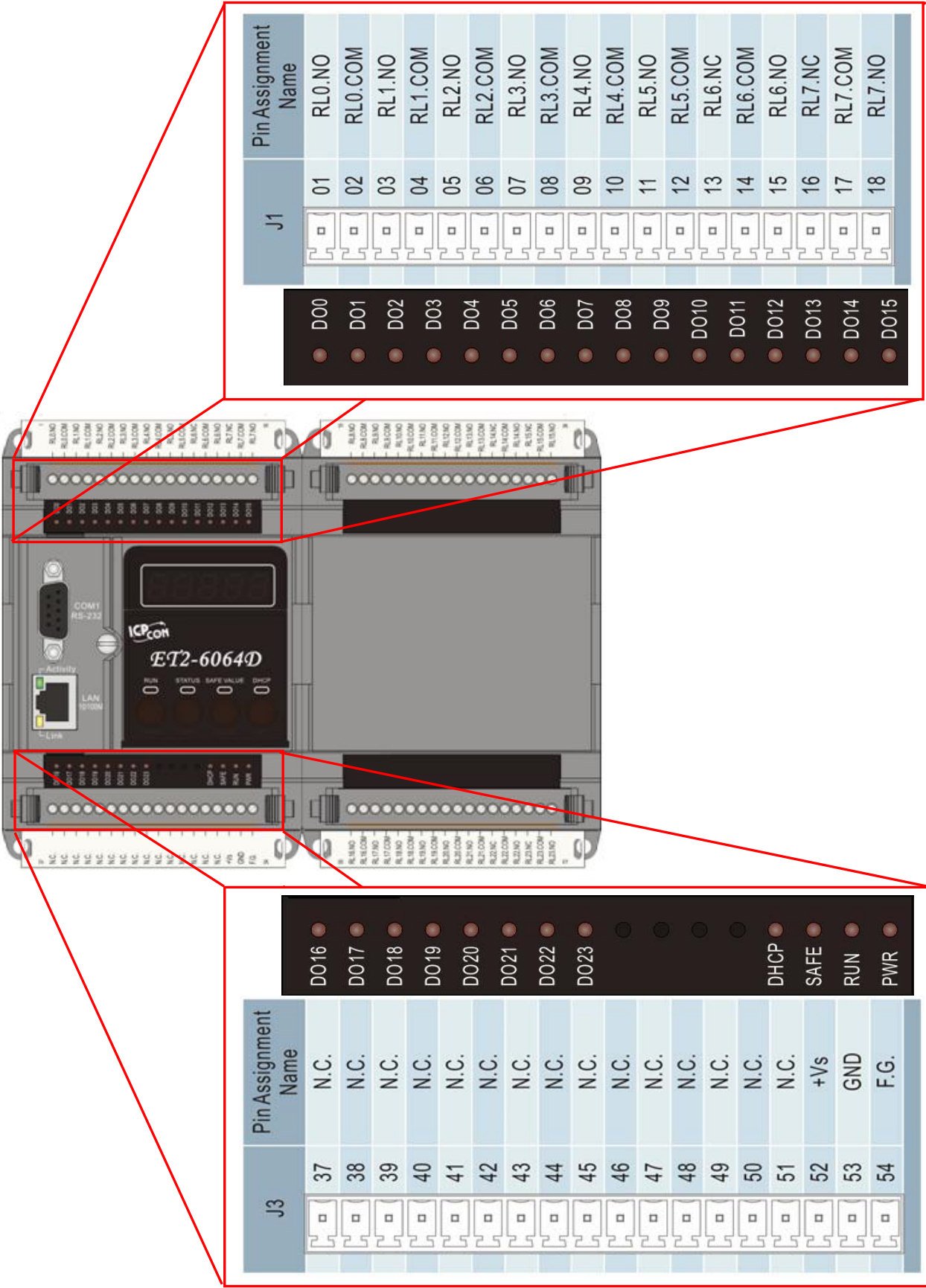
## System Specifications

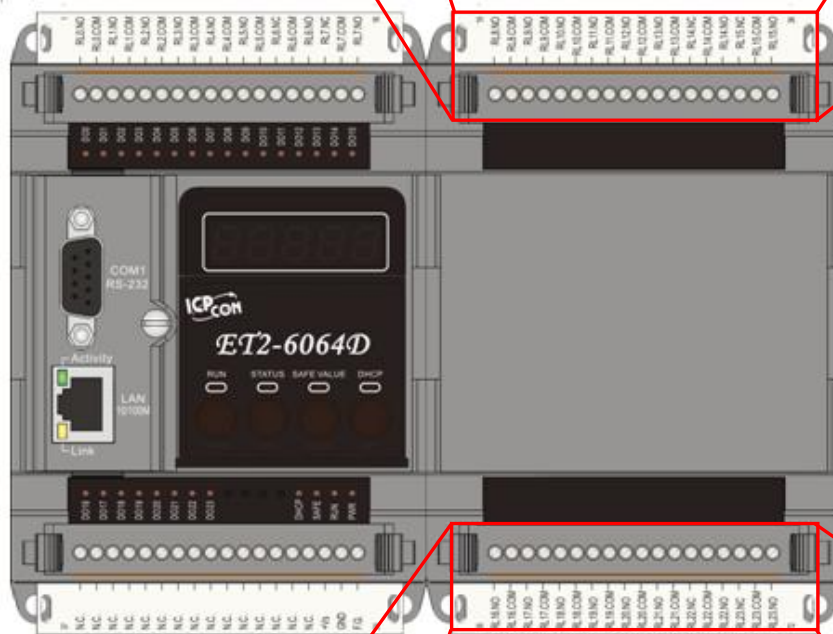
<b>System</b>	CPU: 80186–80 or compatible SRAM: 512KB Flash Memory: 512KB EEPROM: 16KB Built-in Watchdog Timer: 0.8 sec
<b>Communication</b>	Ethernet Port: 10/100MBase T, RJ45 COM Port: <b>COM1</b> : RS232 (RxD, TxD, GND)
<b>SMMI (Small Man Machine Interface)</b>	7–segment LED: 5–digit <b>4 system LED indicators</b> 4 push buttons
<b>LED Indicator</b>	Digital Output Indicators Digital Input Indicators <b>Ethernet Link/Active/Speed Indicators</b>
<b>Isolation</b>	I/O Isolation: 3750 Vrms Ethernet Isolation: 1500 Vrms Power Isolation: 1000 VDC
<b>Power</b>	Power Requirements: +10 to +30 V DC (non–regulated) Power Consumption: 3.0W
<b>General Environment</b>	Operating Temperature: –25°C to +75°C Storage Temperature: –30°C to +75°C Relative Humidity: 10% ~95% RH (non–condensing)

## Default Setting

IP	192.168.255.1
Account	Admin
Password	Admin
Host watchdog timer	0 (Disable)
Preset value for low speed (100Hz) digital counter	0
Power on value for DO	All Off
Safe value for DO	All Off
COM port mode	5 (Console)

# Pin Assignment





J2	Pin Assignment Name
19	RL8.NO
20	RL8.COM
21	RL9.NO
22	RL9.COM
23	RL10.NO
24	RL10.COM
25	RL11.NO
26	RL11.COM
27	RL12.NO
28	RL12.COM
29	RL13.NO
30	RL13.COM
31	RL14.NC.
32	RL14.COM
33	RL14.NO
34	RL15.NC
35	RL15.COM
36	RL15.NO

J4	Pin Assignment Name
55	RL16.NO
56	RL16.COM
57	RL17.NO
58	RL17.COM
59	RL18.NO
60	RL18.COM
61	RL19.NO
62	RL19.COM
63	RL20.NO
64	RL20.COM
65	RL21.NO
66	RL21.COM
67	RL22.NC
68	RL22.COM
69	RL22.NO
70	RL23.NC
71	RL23.COM
72	RL23.NO

## Wire Connection

Relay Output	ON State LED ON Readback as 1	OFF State LED OFF Readback as 0
Relay Output (Form A)		
	<p>Note: RL0~RL5, RL8~RL13, RL16~RL21</p>	
Relay Output (Form C)		
	<p>Note: RL6, RL7, RL14, RL15, RL22, RL23</p>	