



ET-2268 Quick Start

v1.1, Mar. 2018

What's in the box?

The package includes the following items:



ET-2268 Module x 1



Quick Start x1
(This Document)

Related Information

- ET-2200 Series Product Page:
http://www.icpdas.com/root/product/solutions/remote_io/ethernet_io/petl-7000_tpet_tet/petl_series_main_page.html
- Documentation & Firmware:
<http://ftp.icpdas.com.tw/pub/cd/6000cd/napdos/et2200/>
- NS-205/MDR-20-24 Product Page (optional):
http://www.icpdas.com/root/product/solutions/industrial_ethernet_switch/ns-205.html
http://www.icpdas.com/root/product/solutions/accessories/power_supply/mdr-20-24.html

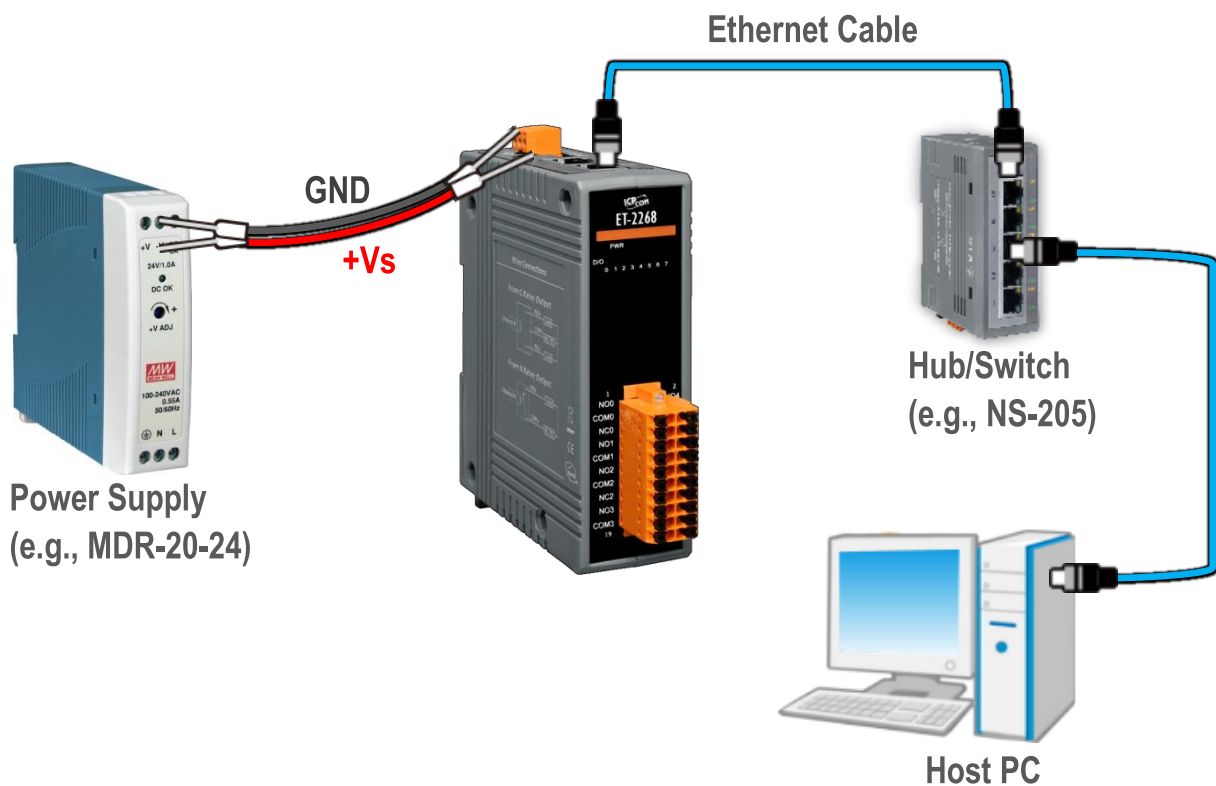
1 Connecting the Power and Host PC

1) Make sure your PC has workable network settings.

Disable or well configure your Windows firewall and Anti-Virus firewall first, else the “**Search Servers**” on **Chapter 5** may not work. (Please contact with your system Administrator)

2) Connect both the ET-2268 and your PC to the same sub network or the same Ethernet switch.

3) Supply power (+10~+30 VDC) to the ET-2268.



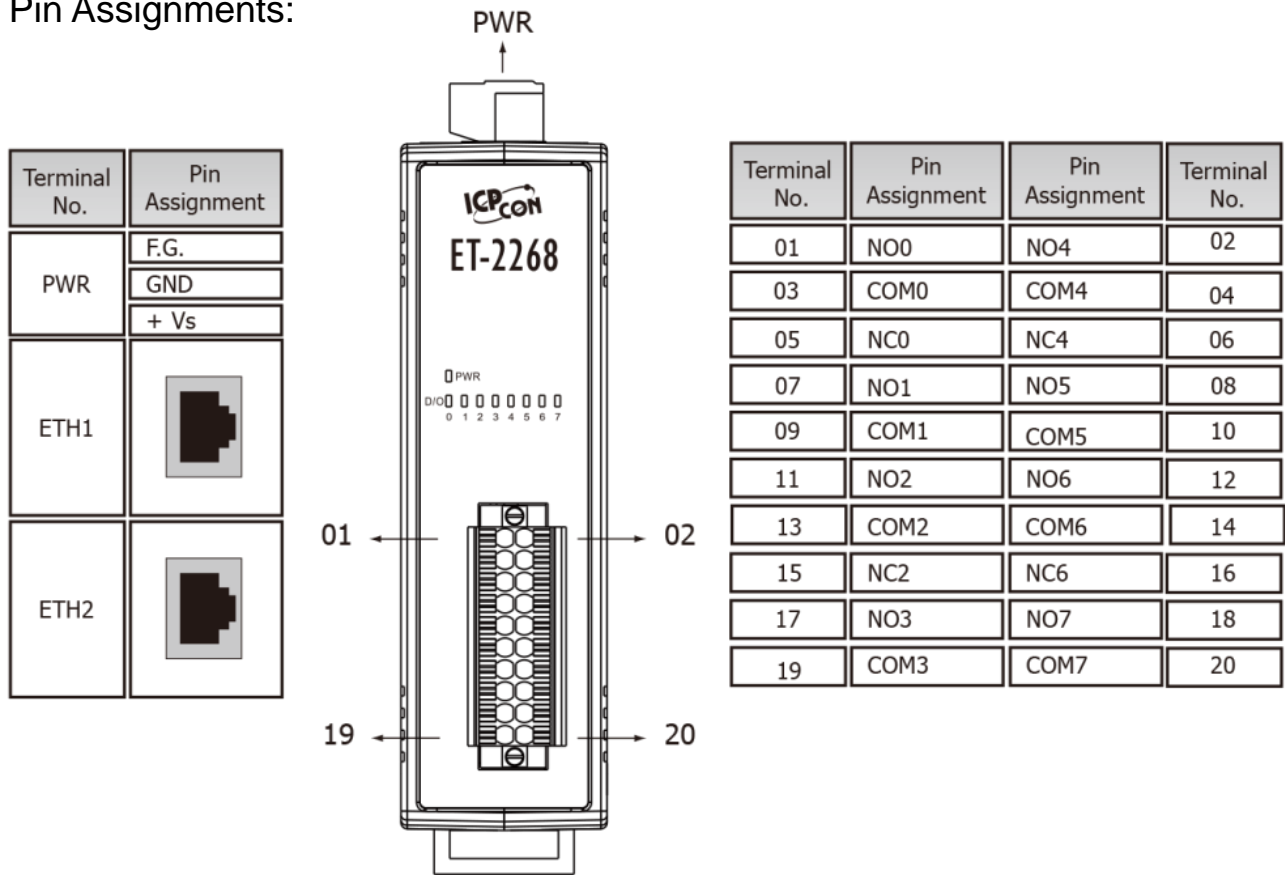
4) Verify that the “PWR” LED indicator on the ET-2268 is flashing.



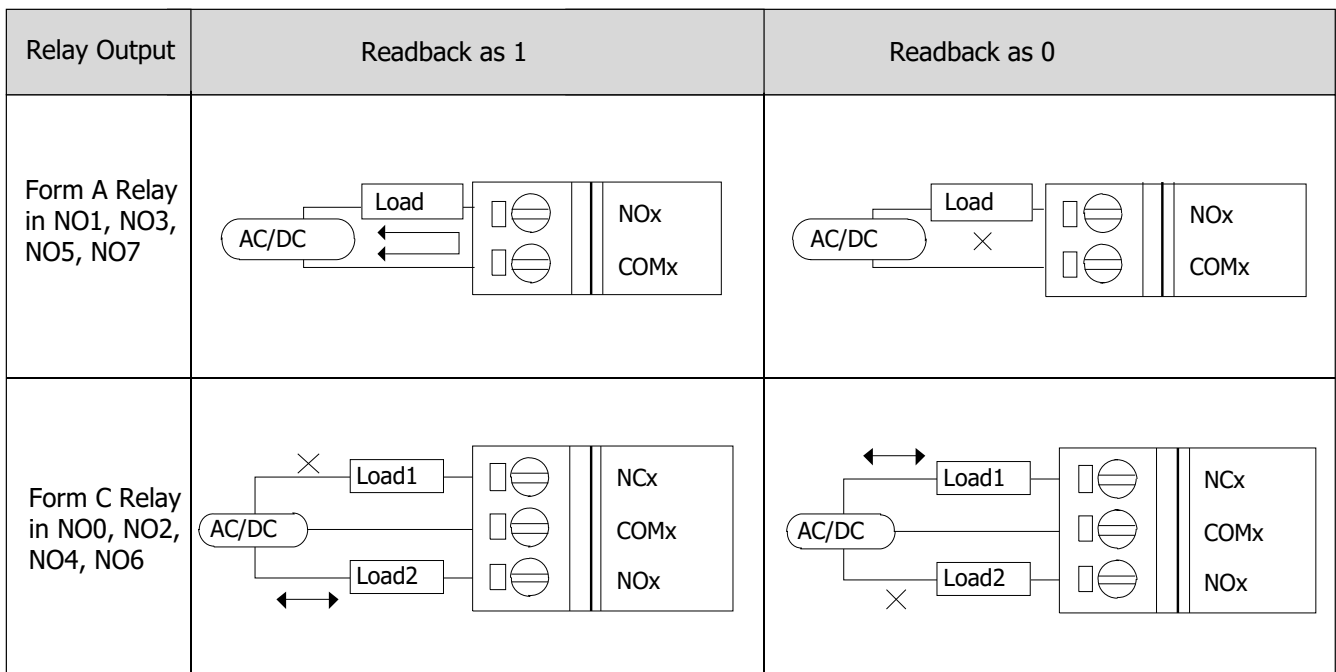
2

Pin Assignments & Wiring Note

➤ Pin Assignments:



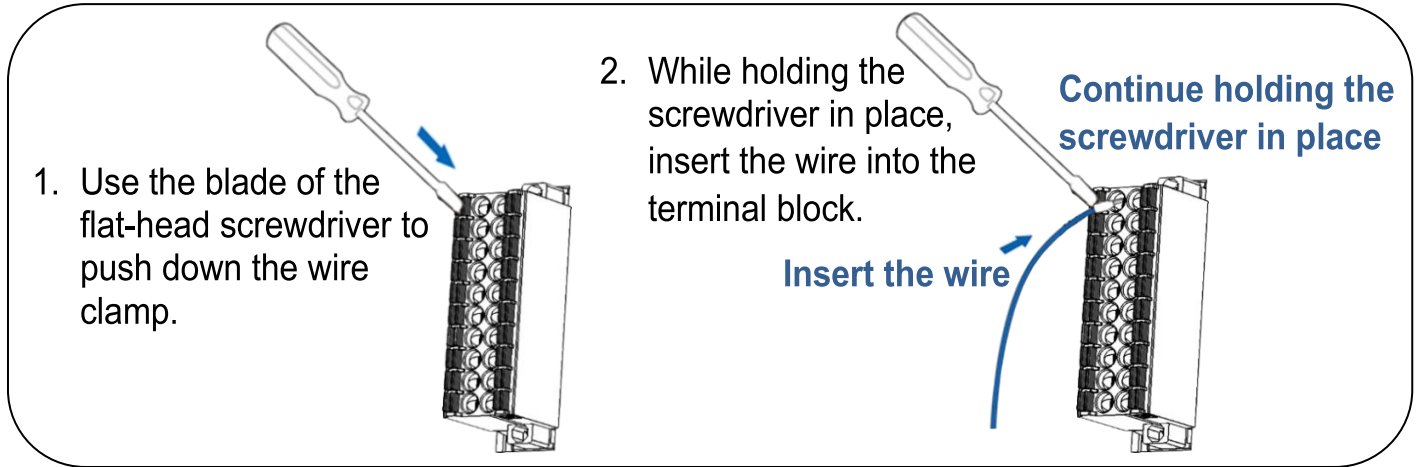
➤ Wire Connections:



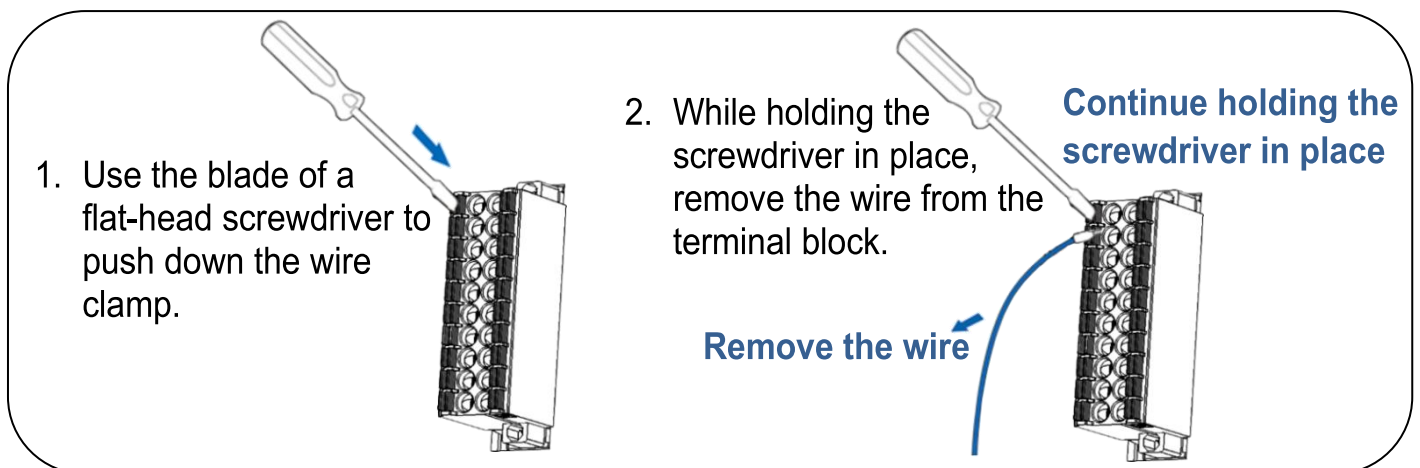
3

Wiring the DI and DO for Self-test

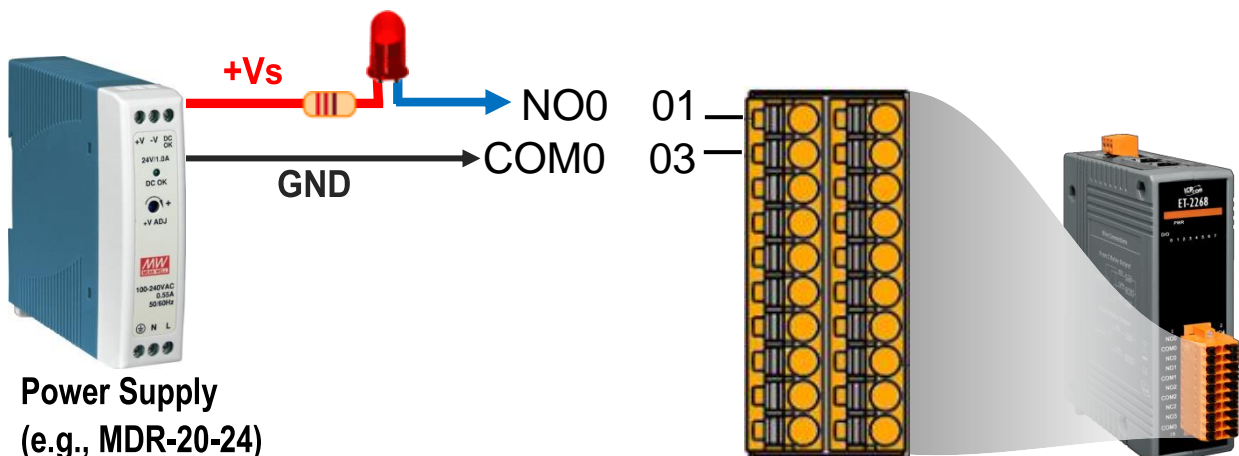
- A tip for connecting the wire to the connector



- A tip for removing the wire from the connector



- 1) Connect the External Power +24V to the NO0 pin (Pin01).
- 2) Connect the External Power GND to the COM0 pin (Pin03).



4 Modbus Address

The nDO parameters in the following Modbus Address Tables are as follows:

Mode Name	Universal DIO	Number of DO channels (nDO)	Number of DI channels (nDI)
ET-2268	-	8	-

➤ **(0xxxx) DO address:**

Begin address	Points	Description	Bits Per Point	Range	Access Type
0 (0x0)	1~nDO	Digital Output Channels	1	0: OFF, 1: ON	R/W
100 (0x64)	1~nDO	Enables the PWM for all DO Channels	1	0 = Off 1 = On (Default= 0)	R/W
127 (0x7F)	1	Restores all default web settings	1	1 = Restore	W
128 (0x80)	1	Default ID Settings	1	1 = Restore	W
133 (0x85)	1	Reboots the ET-2200 module	1	1 = Restore	W
⋮	⋮	⋮	⋮	⋮	⋮
235 (0xEB)	1~nDO	Sets the Power-on value for all DO Channels	1	0: OFF, 1: ON (Default: 0)	R/W/F
267 (0x10B)	1~nDO	Sets the Safe value for all DO Channels	1	0: OFF, 1: ON (Default: 0)	R/W/F

“**R**”: Read, “**W**”: Write, “**F**”: Settings are recorded in flash by default,
“**E**”: After writing DO[60] register, the data will be stored in flash.

 **Note**

For detail “DI/DO Modbus Address” information, refer to Section 6.3 Modbus Register Table of user’s manual (<http://ftp.icpdas.com/pub/cd/6000cd/napdos/et2200/document/>).

5

Configuring Network Settings

- 1) Run the eSearch Utility.

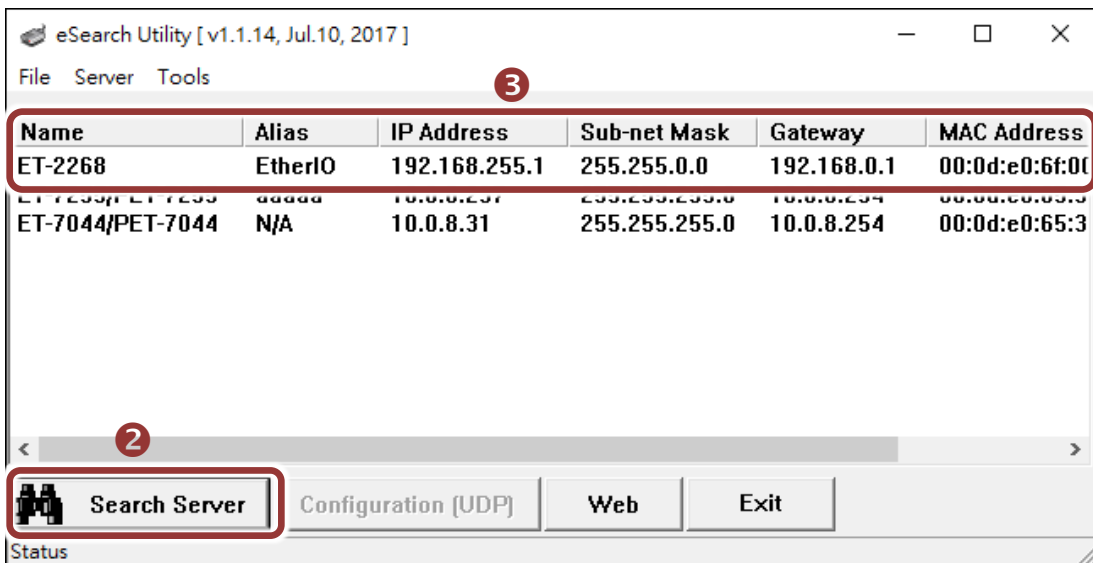
The eSearch Utility is located at:

<http://ftp.icpdas.com/pub/cd/6000cd/napdos/software/esearch/>



- 2) Click the “**Search Servers**” to search your ET-2268.

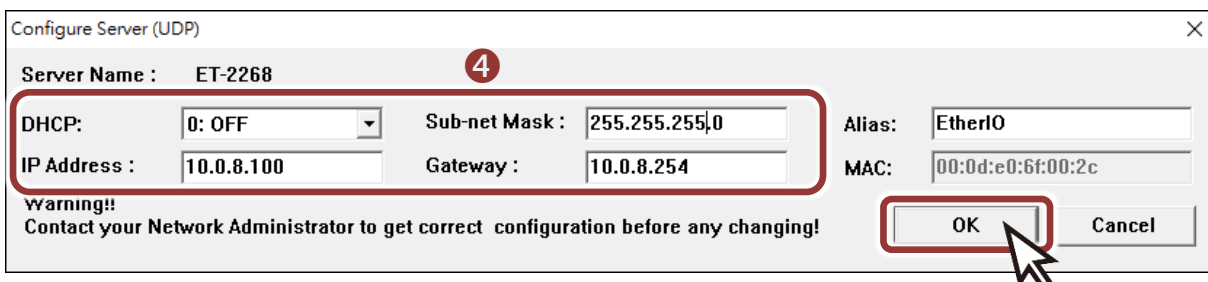
- 3) Double-click your ET-2268 to configure the settings



Factory Default Settings of ET-2268:

IP Address	192.168.255.1
Subnet Mask	255.255.0.0
Gateway	192.168.0.1

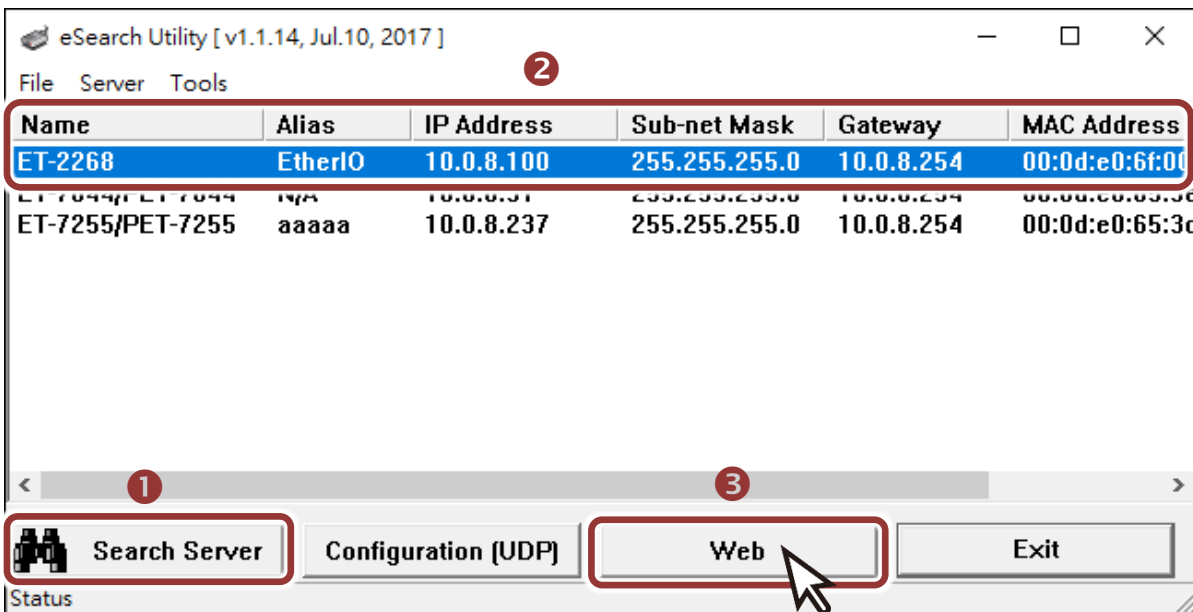
- 4) Contact your Network Administrator to obtain a correct network configuration (such as **IP/Mask/Gateway**). **Enter the network settings** and click “**OK**”. **⚠ Note: The ET-2268 will use the new settings 2 seconds later.**



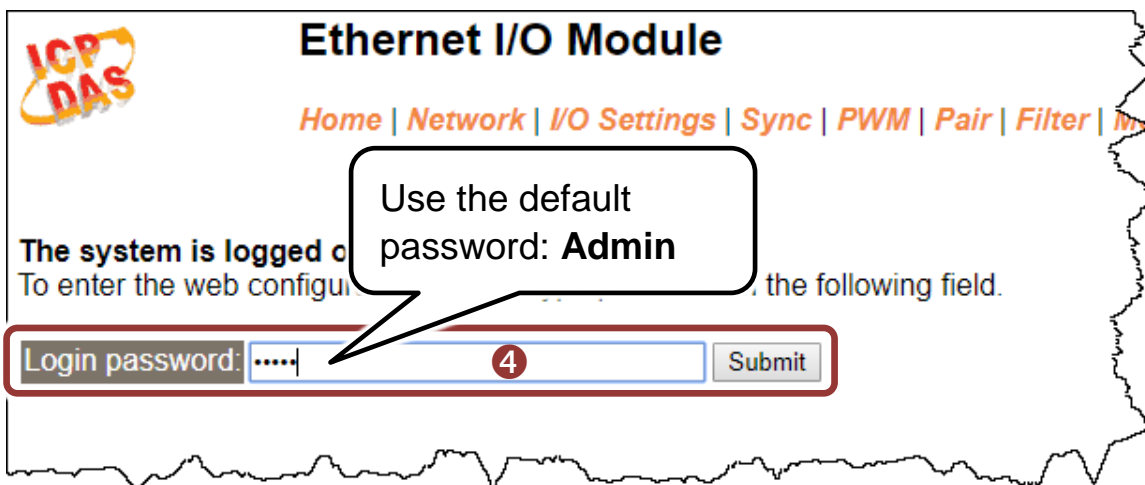
6

Testing your Ethernet I/O Module

- 1) Wait 2 seconds and click “**Search Servers**” button again to ensure the ET-2268 is working well with new configuration.
- 2) Click the name of ET-2268 to select it.
- 3) Click the “**Web**” button to log in to the web configuration pages.
(Or enter the URL address of the ET-2268 in the address bar of the browser.)



- 4) Enter the password (default: **Admin**) in the “login password” field and click “**Submit**”.



5) In the “Home” page allows a simple test to be performed to verify the Digital Input and Output functionality.

6) In the “Digital I/O” section, click the “DO0” button to ON (Red).

Ethernet I/O Module

5 [Home](#) [Network](#) | [I/O Settings](#) | [Sync](#) | [PWM](#) | [Pair](#) | [Filter](#) | [Monitor](#) | [Change Password](#) | [Logout](#)

Model Name:	ET-2268	Alias Name:	EtherIO
Firmware Version:	v1.4.7 [Nov.20 2017]	MAC Address:	00-0d-e0-6f-00-2c
IP Address:	10.0.8.100	Initial Switch:	ON
TCP Port Timeout: (Socket Watchdog, Seconds):	180	System Timeout: (Network Watchdog, Seconds):	0

Digital I/O (Modbus Address: DO=00000 to 00015, DI=10000 to 10015)

DO7 DO6 DO5 DO4 DO3 DO2 DO1 DO0

Current port settings:

Pair-Connection Settings	Port 1
Server Mode:	Server
Remote Server IP:	Disabled
Remote TCP Port:	Disabled

7) Verify that the **output LED** status for “high”.

